

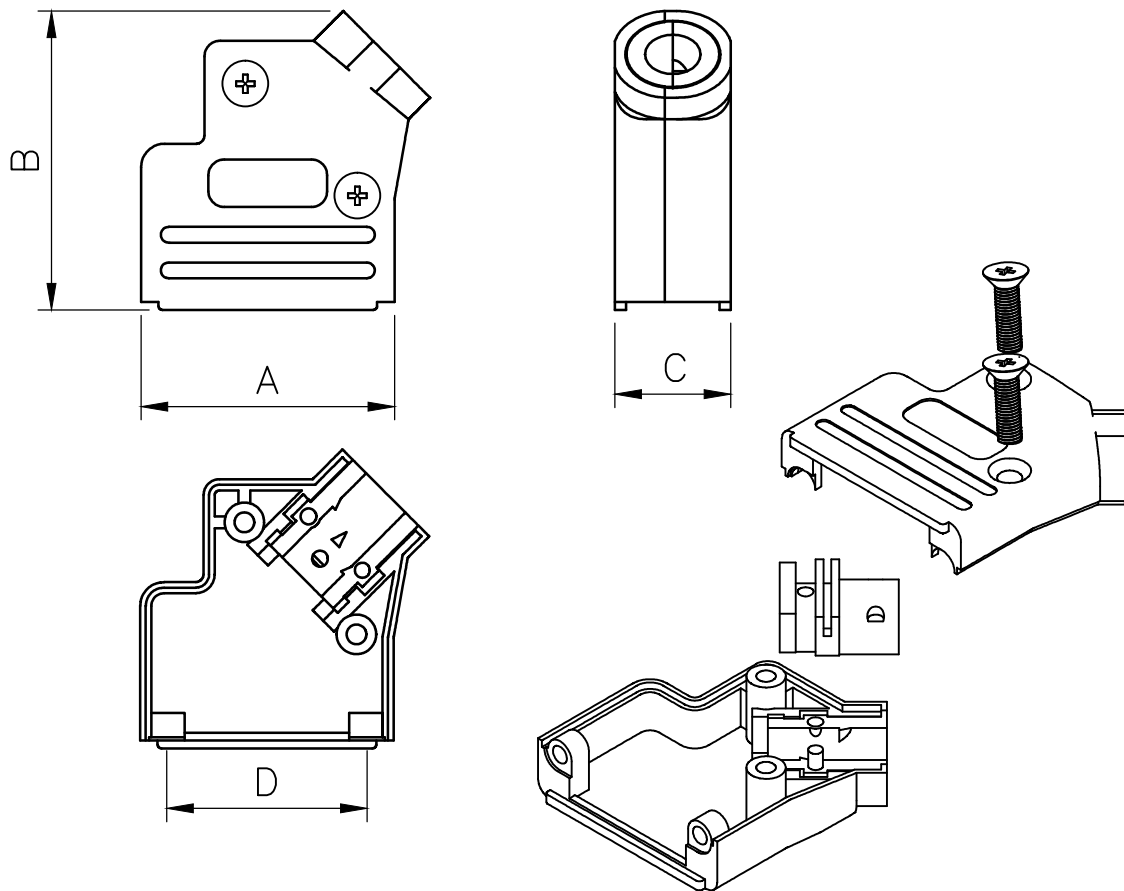
THIS IS A C.A.D. GENERATED DRAWING
DO NOT MAKE MANUAL REVISIONS TO MASTER.



* UNLESS OTHERWISE SPECIFIED TOLERANCES
ON DECIMAL IS: ANGLE ±5°
UNIT: MM X. ±0.38
X.X ±0.25

BACKSHELL KIT INCLUDES:

- (2)BACKSHELL HALVES
- (2)HOUSING SCREWS
- (1)SET OF COMPRESSION INSERTS-VARIOUS SIZES
DIAMETERS 4mm(.157"), 5mm(.167"), 7mm(.276"), 9mm(.354")



DIMENSIONS(mm/in)				
SIZE	A ± 1.50 ± 0.06	B ± 1.20 ± 0.047	C ± 0.60 ± 0.024	D ± 0.25 ± 0.01
9	31.00	36.30	14.50	24.99
	1.220	1.429	0.571	0.984
15	39.50	40.30	14.50	33.32
	1.555	1.587	0.571	1.312
25	53.20	40.30	14.50	47.04
	2.094	1.587	0.571	1.852
37	69.70	40.30	14.50	63.50
	2.744	1.587	0.571	2.500

ORDERING INFORMATON:

SIZE	P/N - KITTED	PRODUCT CODE
9-WAY	6560-0206-31	MHDVSL-09-K
15-WAY	6560-0206-32	MHDVSL-15-K
25-WAY	6560-0206-33	MHDVSL-25-K
37-WAY	6560-0206-34	MHDVSL-37-K

SIZE	P/N - BULK	PRODUCT CODE
9-WAY	6561-0206-31	MHDVSL-09
15-WAY	6561-0206-32	MHDVSL-15
25-WAY	6561-0206-33	MHDVSL-25
37-WAY	6561-0206-34	MHDVSL-37

BACKSHELL MATERIAL:
PLATING:
M3 HOODSCREWS:
COMPRESSION INSERT:
OPERATING TEMP:

DIE-CAST ZINC ALLOY
NICKEL PLATED 2um min
STEEL:ZN PLATED
ABS,UL RECOGNIZED
-40°C TO+120°C

THESE DRAWINGS AND SPECIFICATIONS ARE THE PROPERTY OF MH CONNECTORS AND SHALL NOT BE REPRODUCED, COPIED OR USED AS THE BASIS FOR THE MANUFACTURE OR SALE OF APPARATUS WITHOUT WRITTEN PERMISSION.

DRAWN
Johnny
DATE
05-15-15

APPROVED
DAMIEN
DATE
05-15-15

SCALE
1 : 1
SHEET OF
1 OF 1
REV:
2.0

DRAWING No
MHDVSL-SERIES



THIS SERIES FULLY CONFORMS TO THE EUROPEAN UNION DIRECTIVES 2002/95/EC AND 2002/96/EC FOR RoHS COMPLIANCY.



**MH CONNECTORS ,
DIVISION OF EDAC**