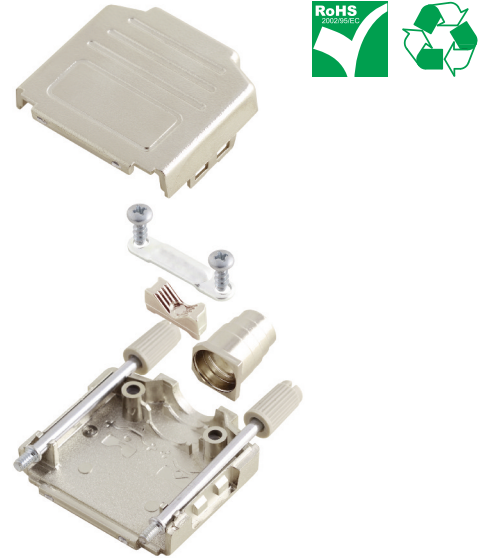


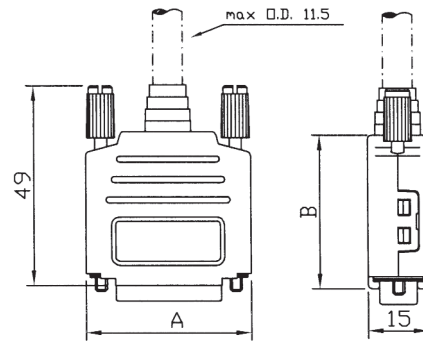
TECHNICAL SPECIFICATIONS

- Material:** UL94 V-0 Plastic Material
- Operating Temperature:** -55°C to +110°C
- Cable Entry:** Top
- Thumbscrews:** UNC 4-40 (standard)
M2,5 or M3,0 on request
- Cable Diameter:** Up to 11,5 mm
- Screening Test:** SP Swedish National Testing and Research Institute
- Accessories:** See page 120
- Assembly Instruction:** See page 146

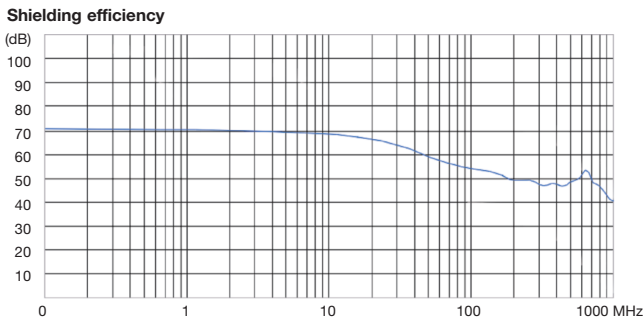


Features:

- Available in sizes 9, 15, 25 and 37-way
- Suitable for any common Sub-D Connector
- Quick-Snap locking system
- Re-openable
- Company logo available upon request
- Also available in Unshielded Version, See page 4-5
- Recyclable



Screening Effectiveness - MHDPPK-T/M-Series



Size	Dim A	Dim B	Dim C
9-way	32,5	38,0	23,5
15-way	41,0	38,0	23,7
25-way	54,5	40,0	22,5
37-way	71,0	40,0	25,5

Ordering information:

Size:	P/N - Kitted:	Product Code:
9-way	6260-0105-01	MHDPPK-M-09-K
15-way	6260-0105-02	MHDPPK-M-15-K
25-way	6260-0105-03	MHDPPK-M-25-K
37-way	6260-0105-04	MHDPPK-M-37-K

Size:	P/N - BULK:	Product Code:
9-way	6261-0105-01	MHDPPK-M-09
15-way	6261-0105-02	MHDPPK-M-15
25-way	6261-0105-03	MHDPPK-M-25
37-way	6261-0105-04	MHDPPK-M-37

