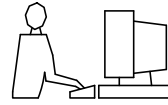


THIS IS A C.A.D. GENERATED DRAWING
DO NOT MAKE MANUAL REVISIONS TO MASTER.

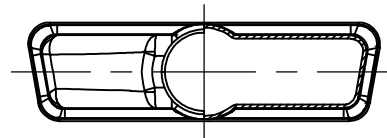
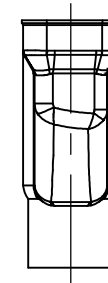
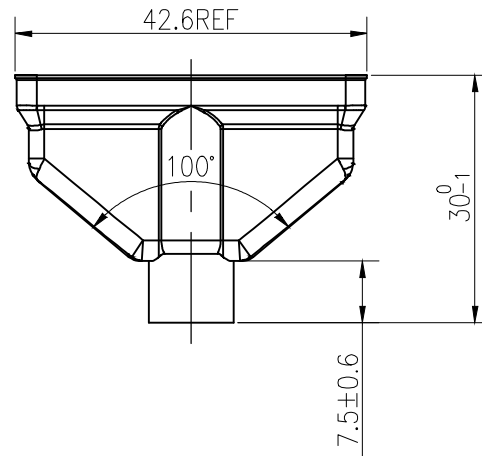
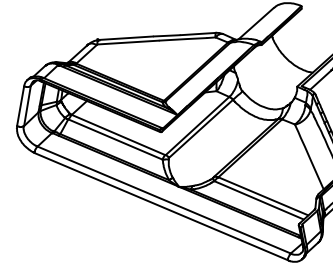
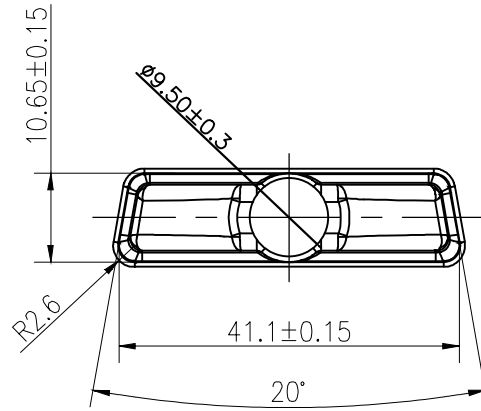


* UNLESS OTHERWISE SPECIFIED TOLERANCES
ON DECIMAL IS: X. ±0.20 X. ±2*
UNIT: MM X.X ±0.15 X.X* ±1*
X.XX ±0.13 X.XX* ±0.5*

ISSUE NUMBER

ORIGINAL

①



NOTES:

1. MATERIAL: SPCC, T=0.4±0.05.
2. PLATING: TIN PLATED.
3. THE DIM Ø9.50 POSITION ALLOW CRACKS, BUT CAN'T EFFECT NORMAL USE.

THESE DRAWINGS AND SPECIFICATIONS ARE THE PROPERTY OF MH CONNECTORS AND SHALL NOT BE REPRODUCED, COPIED OR USED AS THE BASIS FOR THE MANUFACTURE OR SALE OF APPARATUS WITHOUT WRITTEN PERMISSION.

DRAWN Iven Ou		DATE 2023/03/14
APPROVED		DATE

SCALE	SHEET OF 1 OF 1	REV: 1.0
-------	--------------------	-------------

DRAWING No
DMCK25-9.50



THIS SERIES FULLY CONFORMS TO THE EUROPEAN UNION DIRECTIVES 2015/863/EU AND 2011/65/EU FOR RoHS COMPLIANCY.



MH CONNECTORS,
DIVISION OF EDAC