

**MATERIALS:**

PLASTIC HOUSING: ENGINEERING THERMOPLASTIC  
 FLAMMABILITY RATING UL 94V-0.

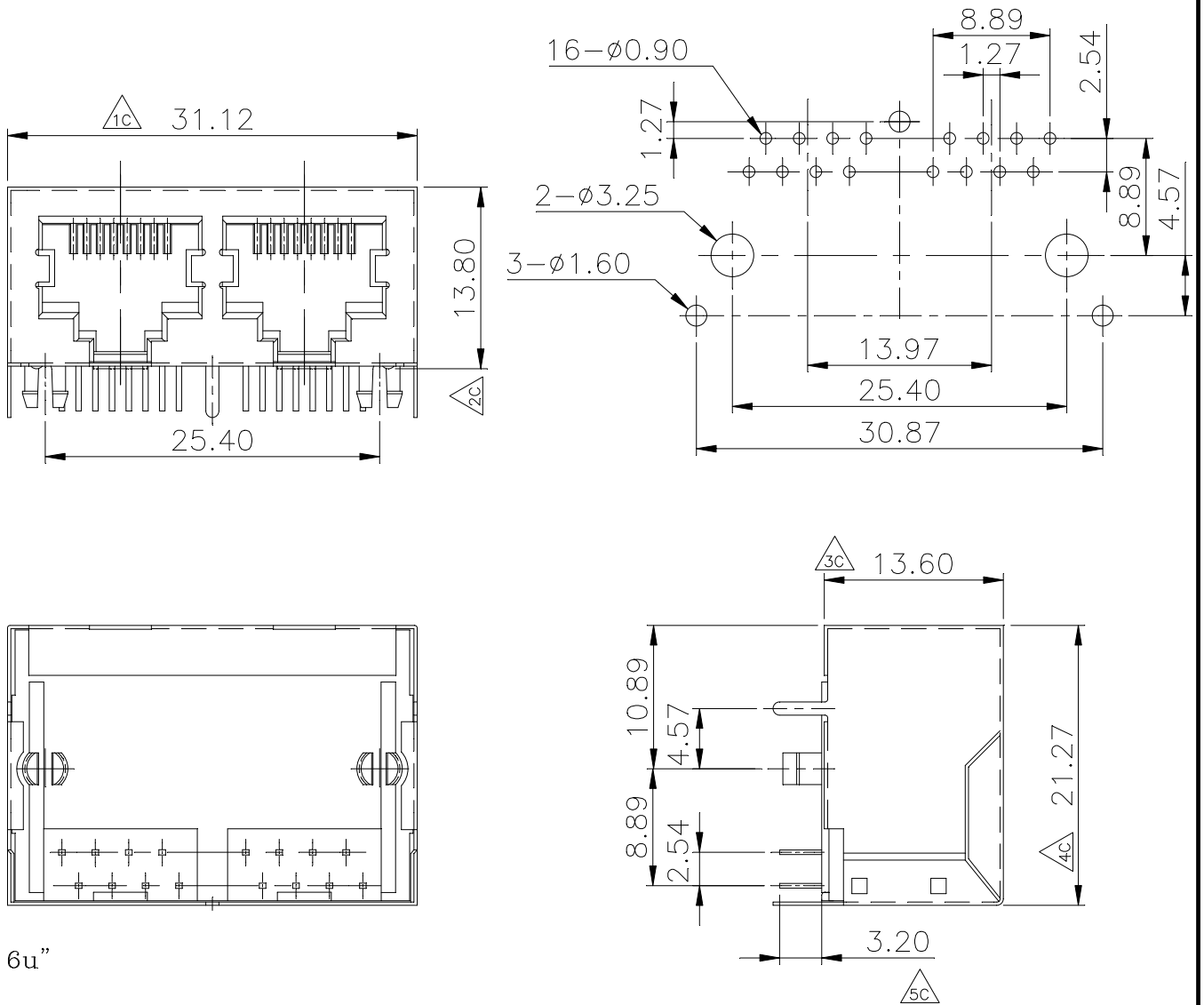
CONTACTS: 0.35mm THICKNESS PHOSPHOR BRONZE

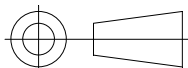
PLATING: GOLD PLATING OVER NICKEL IN CONTACT.

TIN PLATING OVER NICKEL IN SOLDER AREA.

SHIELDED: BRASS WITH NICKEL PLATED

**PCB LAYOUT/TOP VIEW**



設計 DR.	核准 APPD.	容許公差 .XXX ±0.10 .XX ±0.25 .X ±0.38 X ±0.50 ANG ±3°	TOLERANCE	品名 ARTICLE 1*2PORTS PCB JACK(8P8C )	
版本說明 REVISION NOTE				FOR MH3012-S-02	
-----				單位 UNIT mm	比例 SCALE 2/1