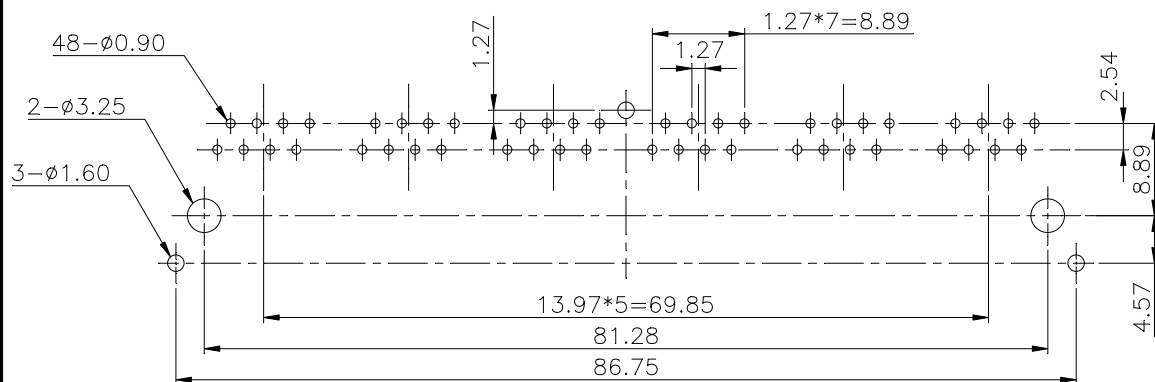


PCB LAYOUT/TOP VIEW



MATERIALS:

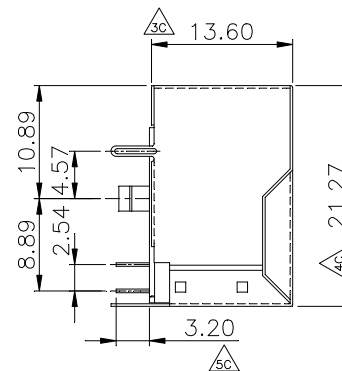
PLASTIC HOUSING: ENGINEERING THERMOPLASTIC  
FLAMMABILITY RATING UL 94V-0.

CONTACTS: 0.35mm THICKNESS PHOSPHOR BRONZE

PLATING: GOLD PLATING OVER NICKEL IN CONTACT.

TIN PLATING OVER NICKEL IN SOLDER AREA.

SHIELDED: BRASS WITH NICKEL PLATED



6u"

設計 DR.	核准 APPD.	容許公差 .XXX ±0.10 .XX ±0.25 .X ±0.38 X ±0.50 ANG ±3°	TOLERANCE	品名 ARTICLE 1*6PORTS PCB JACK(8P8C )
版本說明 REVISION NOTE				圖號 DWG. NO. FOR MH3012-S-06
				單位 UNIT 比例 SCALE 張數 SHEET 版本 REV.
				mm 2/1 1/1 A