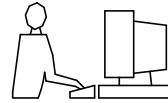
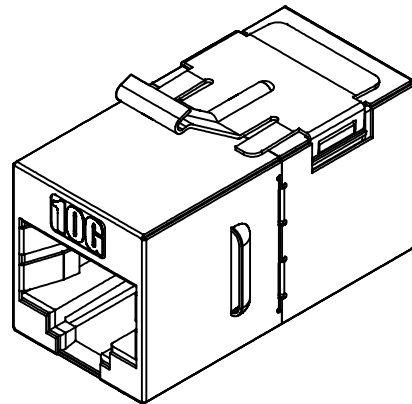
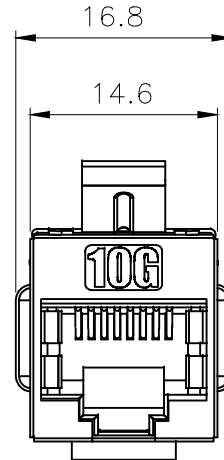
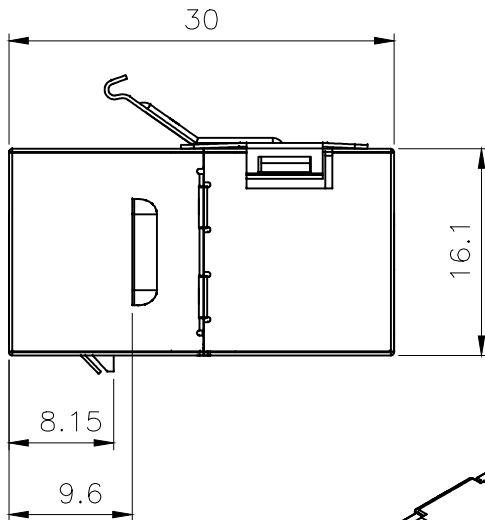
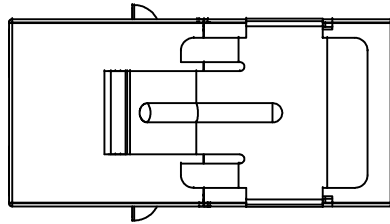


THIS IS A C.A.D. GENERATED DRAWING
DO NOT MAKE MANUAL REVISIONS TO MASTER.



* UNLESS OTHERWISE SPECIFIED TOLERANCES
ON DECIMAL IS: ANGLE ±1°
UNIT: MM .XX ±0.35

ISSUE NUMBER	
ORIGINAL	①
UPDATE DRAWING P/N	
OCT.08,2023	JOHNNY ②



Electrical specification:

Insulation resistance: 500MΩ
Dielectric withstanding voltage: 1000V AC
DC current rating: 1.5A
DC resistance: 0.1Ω
Contact resistance: 20mΩ

Physical specification:

Shielded case: Stainless steel
Coupler housing: polycarbonate resin high - impact UL94V-0 Thermoplastic
Spring wire: phosphor bronze with Gold over Nickel undercoat
Insertion life: 750 mating cycles with FCC compliant RJ45 plug
Plug retention force: 11lbf min
Operating temperature: -10°C to 60°C
Humidity: 10%~90%RH

Standard Verification:

ANSI/TIA-568-B.2-1-10 channel compliant
FCC part 68.5, Subpart F compliant
ISO/IEC 11801 Class EA channel compliant
UL 1863

THESE DRAWINGS AND SPECIFICATIONS ARE THE PROPERTY OF MH CONNECTORS AND SHALL NOT BE REPRODUCED, COPIED OR USED AS THE BASIS FOR THE MANUFACTURE OR SALE OF APPARATUS WITHOUT WRITTEN PERMISSION.

DRAWN	DATE
Johnny Chen	10-08-23

APPROVED	DATE
Victor Lin	10-08-23

SCALE	SHEET OF	REV:
	1 OF 1	2.0

DRAWING No
MH3101S-CAT6A



THIS SERIES FULLY CONFORMS TO THE EUROPEAN UNION DIRECTIVES 2015/863/EU AND 2011/65/EU FOR RoHS COMPLIANCY.



MH CONNECTORS ,
DIVISION OF EDAC