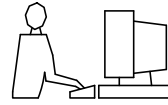


THIS IS A C.A.D. GENERATED DRAWING  
DO NOT MAKE MANUAL REVISIONS TO MASTER.



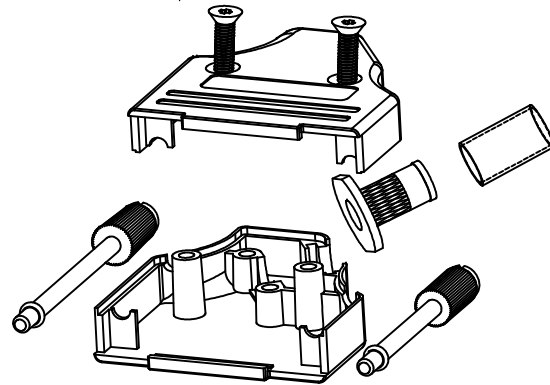
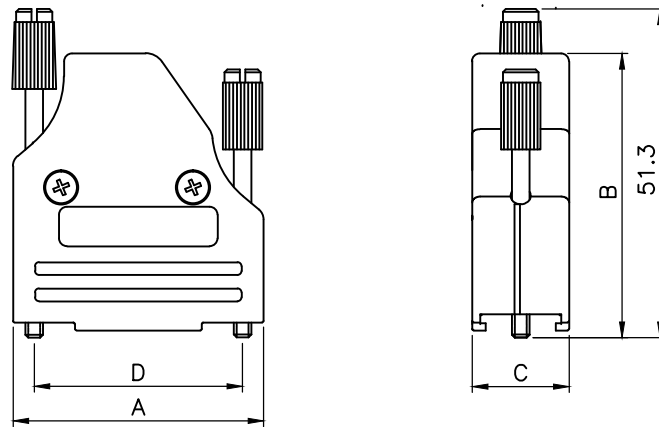
\* UNLESS OTHERWISE SPECIFIED TOLERANCES  
ON DECIMAL IS: ANGLE  $\pm 1^\circ$   
UNIT: MM .X  $\pm 0.5$

**BACKSHELL KIT INCLUDES:**

- (2)BACKSHELL HALVES
- (2)HOUSING SCREWS
- (2)4-40 THUMBSCREWS

**EXTRA OPTION:**

- (1)SET OF FERRULES-VARIOUS SIZE FOR 9-37  
DIAMETERS 5.3mm,6.0mm,7.0mm,7.5mm,8.6mm.



BACKSHELL MATERIAL:  
PLATING:  
4-40 THUMBSCREWS:  
HOUSING SCREWS:  
FERRULES:  
FERRULES:  
OPERATING TEMP:

DIE CAST ZINC ALLOY  
NICKEL PLATED  
STEEL-Zn PLATED  
STEEL-Zn PLATED  
ALUMINUM  
STEEL  
-40°C TO+120°C

DIMENSIONS(mm/in)				
SIZE	A $\pm 0.50$ $\pm 0.020$	B $\pm 1.6$ $\pm 0.063$	C $\pm 1.6$ $\pm 0.063$	D $\pm 0.50$ $\pm 0.020$
9	32.0	43.0	15.5	-
	1.260	1.693	0.610	-
15	40.4	43.0	15.5	33.32
	1.591	1.693	0.610	1.312
25	54.0	48.0	15.5	47.04
	2.126	1.890	0.610	1.852
37	70.5	53.0	15.5	63.50
	2.776	2.087	0.610	2.500

**ORDERING INFORMATION:**

SIZE	P/N - KITTED	PRODUCT CODE
9-WAY	6560-0138-11	MHC35-9-K
15-WAY	6560-0138-12	MHC35-15-K
25-WAY	6560-0138-13	MHC35-25-K
37-WAY	6560-0138-14	MHC35-37-K

THESE DRAWINGS AND SPECIFICATIONS ARE THE PROPERTY OF MH CONNECTORS LTD. AND SHALL NOT BE REPRODUCED, COPIED OR USED AS THE BASIS FOR THE MANUFACTURE OR SALE OF APPARATUS WITHOUT WRITTEN PERMISSION.

DRAWN	DATE
HALEY	01-23-14

APPROVED	DATE
----------	------

SCALE	SHEET OF	REV:
1:1	1 OF 1	4.0

DRAWING No	MHC35-XX-K
------------	------------



THIS SERIES FULLY CONFORMS TO THE EUROPEAN UNION DIRECTIVES 2002/95/EC AND 2002/96/EC FOR RoHS COMPLIANCY.



**MH CONNECTORS LTD.**