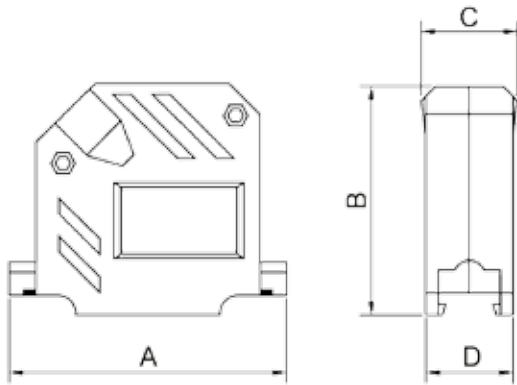


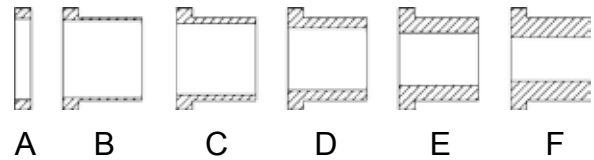
TECHNICAL SPECIFICATIONS

Material:	UL 94 V-0 Plastic Material
Plating:	Nickel over Copper
Operating Temperature:	-40°C to +120°C
Cable Entry:	Side Entry
Thumbscrews:	UNC 4-40
Cable O.D:	Up to 16,5mm*

* For specific values - see dimensions below.



Compression Inserts - Inner Diameters:



Size	Dim A	Dim B	Dim C	Dim D
9-way	31,3	40,0	16,3	16,3
15-way	39,1	43,5	16,3	16,3
25-way	53,1	47,7	18,0	16,3
37-way	69,3	53,9	23,0	16,3

Size	A	B	C	D	E	F
9-way	8,10	8,00	7,25	6,50	5,30	-
15-way	8,10	8,00	7,25	6,50	5,30	-
25-way	11,40	10,40	9,40	7,60	5,80	-
37-way	16,50	15,75	14,50	12,70	10,80	8,90

Ordering information:

Size:	P/N - Kitted:	Product Code:	45° SIDE
9-way	1060-0106-11	MHC88E200000	
15-way	1060-0106-12	MHC88E210000	
25-way	1060-0106-13	MHC88E220000	
37-way	1060-0106-14	MHC88E230000	

Features:

- Available in sizes 9-15-25-37
- Re-openable
- Strain Relief / Compression Insert manufactured in Thermoplastic compound.
- Also available in Top Entry, See page 22