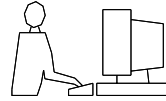


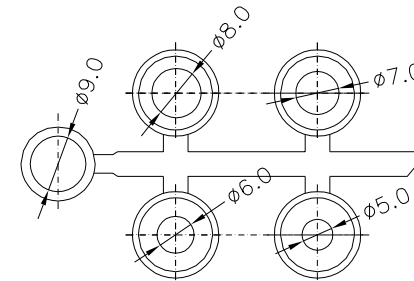
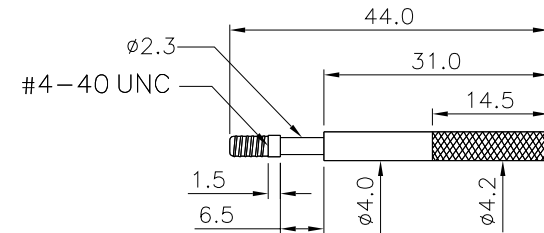
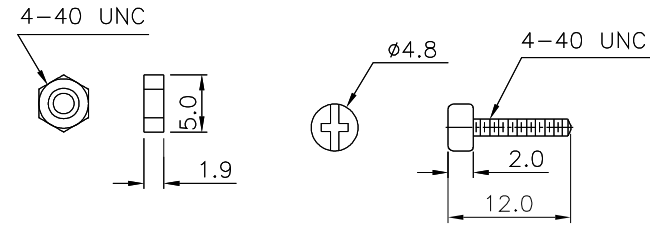
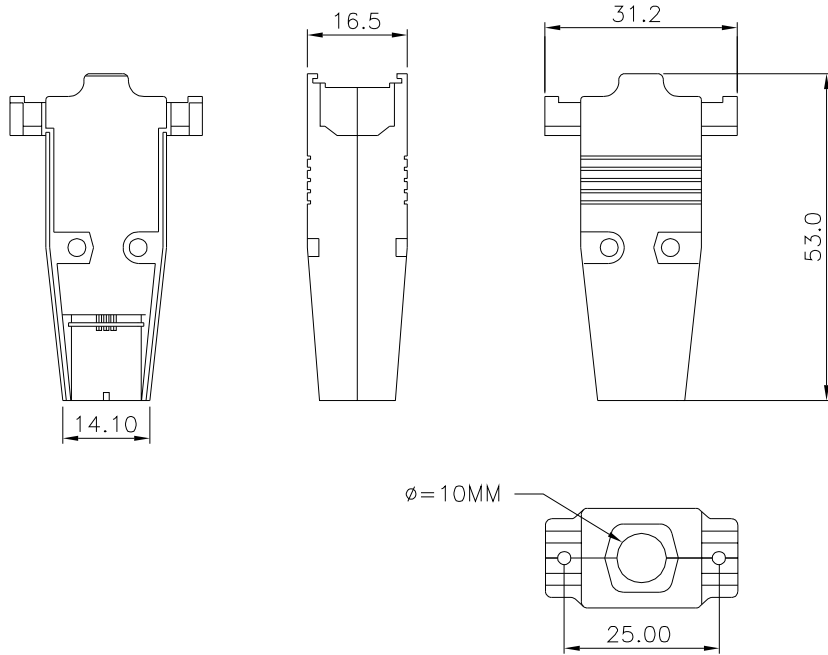
THIS IS A C.A.D. GENERATED DRAWING  
DO NOT MAKE MANUAL REVISIONS TO MASTER.



\* UNLESS OTHERWISE SPECIFIED TOLERANCES  
ON DECIMAL IS: ANGLE ± 1°  
UNIT: MM X ± 0.5  
.X ± 0.3  
.XX ± 0.2

BACKSHELL KIT INCLUDES:

- (2) BACKSHELL HALVES
- (2) 4-40 SHELLSCREWS
- (2) NUTS
- (2) 4-40 LONG JACKSCREW (MEL-VERSION)
- (1) SET OF COMPRESSION INSERTS - VARIOUS SIZES DIAMETERS 5mm, 6mm, 7mm, 8mm, 9mm



BACKSHELL MATERIAL: ZINC ALLOY  
PLATING: CHROMATE PLATED  
JACKSCREWS: STEEL  
SHELLSCREWS: STEEL

THESE DRAWINGS AND SPECIFICATIONS ARE THE PROPERTY OF MH CONNECTORS LTD. AND SHALL NOT BE REPRODUCED, COPIED OR USED AS THE BASIS FOR THE MANUFACTURE OR SALE OF APPARATUS WITHOUT WRITTEN PERMISSION.

<b>DRAWN</b> Change zhang	<b>DATE</b> 11-18-16
------------------------------	-------------------------

<b>APPROVED</b> Victor Lin	<b>DATE</b> 11-18-16
-------------------------------	-------------------------

<b>SCALE</b>	<b>SHEET OF</b> 1 OF 1	<b>REV:</b> 1.0
--------------	---------------------------	--------------------

**DRAWING No**  
MHCCOV9-MEL-RG

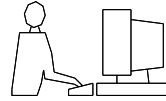


THIS SERIES FULLY CONFORMS TO THE EUROPEAN UNION DIRECTIVES 2002/95/EC AND 2002/96/EC FOR RoHS COMPLIANCY.



**MH CONNECTORS ,  
DIVISION OF EDAC**

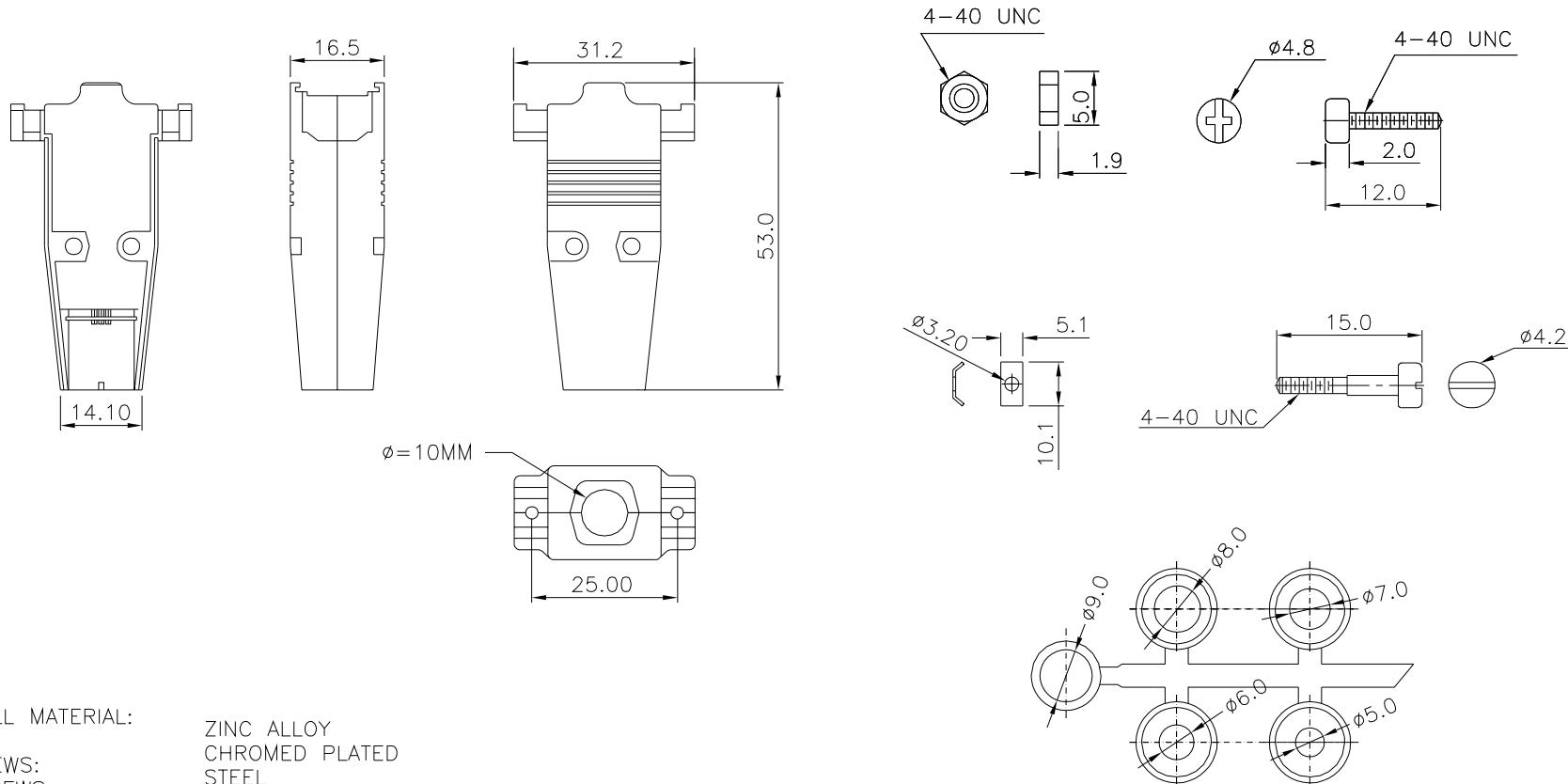
THIS IS A C.A.D. GENERATED DRAWING  
DO NOT MAKE MANUAL REVISIONS TO MASTER.



\* UNLESS OTHERWISE SPECIFIED TOLERANCES  
ON DECIMAL IS: ANGLE ± 1°  
UNIT: MM X. ± 0.5  
.X ± 0.3  
.XX ± 0.2

BACKSHELL KIT INCLUDES:

- (2)BACKSHELL HALVES
- (2)4-40 SHELLSCREWS
- (2)NUTS
- (2)CLAMPS
- (2)4-40 SHORT JACKSCREW(ME-VERSION)
- (1)SET OF COMPRESSION INSERTS-VARIOUS SIZES DIAMETERS 5mm,6mm,7mm,8mm,9mm



BACKSHELL MATERIAL: ZINC ALLOY  
PLATING: CHROMED PLATED  
JACKSCREWS: STEEL  
SHELLSCREWS: STEEL

THESE DRAWINGS AND SPECIFICATIONS ARE THE PROPERTY OF MH CONNECTORS LTD. AND SHALL NOT BE REPRODUCED, COPIED OR USED AS THE BASIS FOR THE MANUFACTURE OR SALE OF APPARATUS WITHOUT WRITTEN PERMISSION.			DRAWN	DATE
			Change zhang	11-18-16
			APPROVED	DATE
			Victor Lin	11-18-16
SCALE	SHEET OF	REV:		
	1 OF 1	1.0		
DRAWING No MHCCOV9-ME-RG				

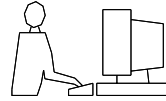


THIS SERIES FULLY CONFORMS TO THE EUROPEAN UNION DIRECTIVES 2002/95/EC AND 2002/96/EC FOR RoHS COMPLIANCY.



MH CONNECTORS,  
DIVISION OF EDAC

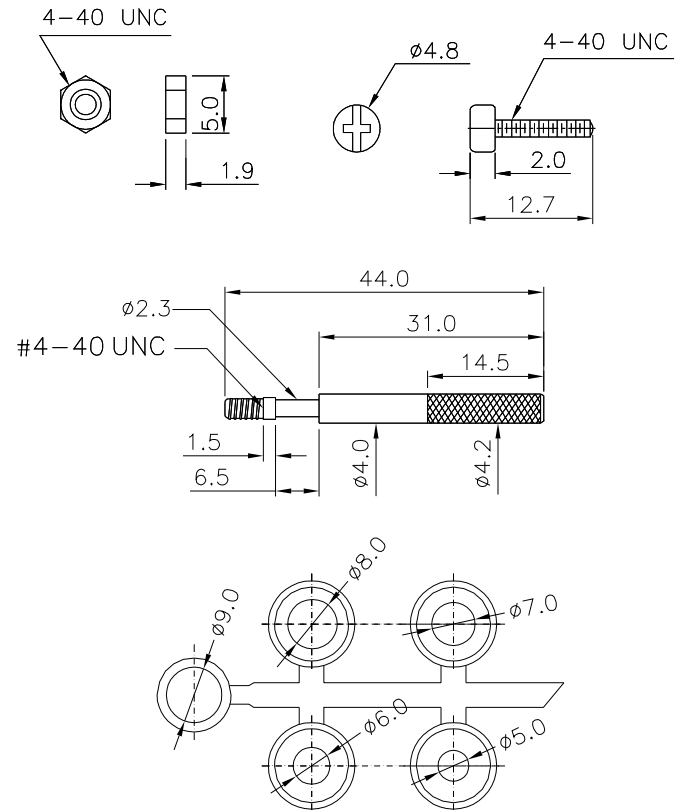
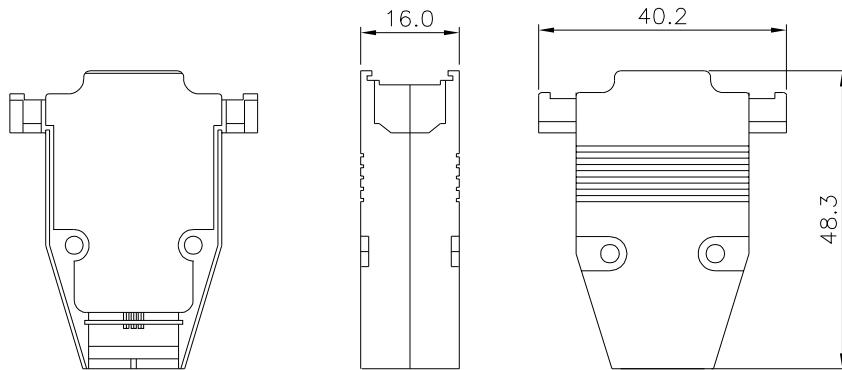
THIS IS A C.A.D. GENERATED DRAWING  
DO NOT MAKE MANUAL REVISIONS TO MASTER.



\* UNLESS OTHERWISE SPECIFIED TOLERANCES  
ON DECIMAL IS: ANGLE  $\pm 1'$   
UNIT: MM X.  $\pm 0.5$   
.X  $\pm 0.3$   
.XX  $\pm 0.2$

BACKSHELL KIT INCLUDES:

- (2)BACKSHELL HALVES
- (2)4-40 SHELLSCREWS
- (2)NUTS
- (2)4-40 LONG JACKSCREW(MEL-VERSION)
- (1)SET OF COMPRESSION INSERTS-VARIOUS SIZES DIAMETERS 5mm,6mm,7mm,8mm,9mm



BACKSHELL MATERIAL: ZINC ALLOY  
PLATING: CHROMATE PLATED  
JACKSCREWS: STEEL  
SHELLSCREWS: STEEL

THESE DRAWINGS AND SPECIFICATIONS ARE THE PROPERTY OF MH CONNECTORS LTD. AND SHALL NOT BE REPRODUCED, COPIED OR USED AS THE BASIS FOR THE MANUFACTURE OR SALE OF APPARATUS WITHOUT WRITTEN PERMISSION.		DRAWN	DATE
		Change zhang	11-18-16
		APPROVED	DATE
		Victor Lin	11-18-16
SCALE	SHEET OF	REV:	
	1 OF 1	1.0	
DRAWING No MHCCOV15-MEL-RG			

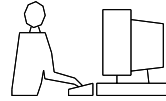


THIS SERIES FULLY CONFORMS TO THE EUROPEAN UNION DIRECTIVES 2002/95/EC AND 2002/96/EC FOR RoHS COMPLIANCY.



MH CONNECTORS ,  
DIVISION OF EDAC

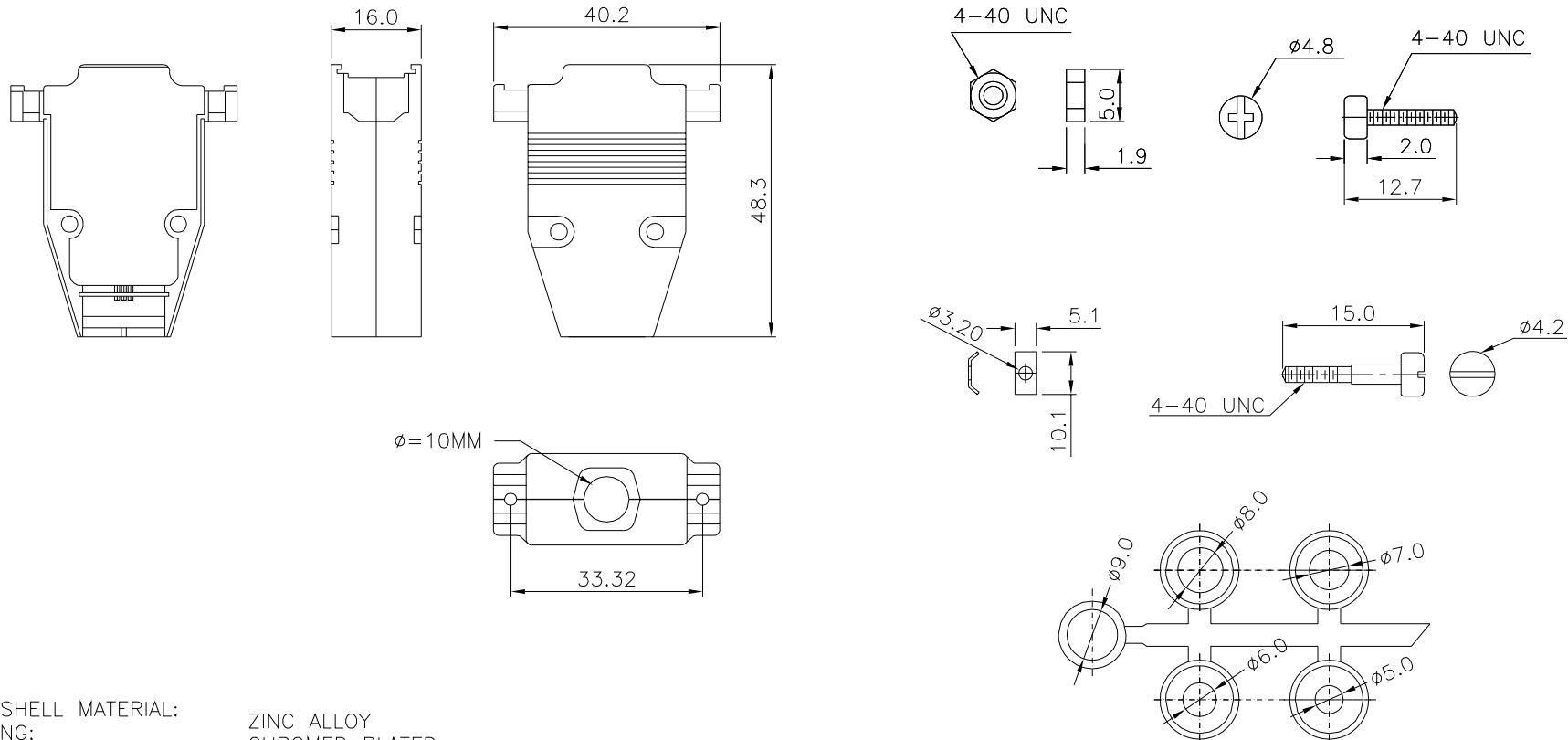
THIS IS A C.A.D. GENERATED DRAWING  
DO NOT MAKE MANUAL REVISIONS TO MASTER.



\* UNLESS OTHERWISE SPECIFIED TOLERANCES  
ON DECIMAL IS: ANGLE  $\pm 1^\circ$   
UNIT: MM X.  $\pm 0.5$   
.X  $\pm 0.3$   
.XX  $\pm 0.2$

BACKSHELL KIT INCLUDES:

- (2)BACKSHELL HALVES
- (2)4-40 SHELLSCREWS
- (2)NUTS
- (2)CLAMPS
- (2)4-40 SHORT JACKSCREW(ME-VERSION)
- (1)SET OF COMPRESSION INSERTS-VARIOUS SIZES DIAMETERS 5mm,6mm,7mm,8mm,9mm



BACKSHELL MATERIAL: ZINC ALLOY  
PLATING: CHROMED PLATED  
JACKSCREWS: STEEL  
SHELLSCREWS: STEEL

THESE DRAWINGS AND SPECIFICATIONS ARE THE PROPERTY OF MH CONNECTORS LTD. AND SHALL NOT BE REPRODUCED, COPIED OR USED AS THE BASIS FOR THE MANUFACTURE OR SALE OF APPARATUS WITHOUT WRITTEN PERMISSION.

<b>DRAWN</b> Change zhang	<b>DATE</b> 11-18-16
------------------------------	-------------------------

<b>APPROVED</b> Victor Lin	<b>DATE</b> 11-18-16
-------------------------------	-------------------------

<b>SCALE</b>	<b>SHEET OF</b> 1 OF 1	<b>REV:</b> 1.0
--------------	---------------------------	--------------------

**DRAWING No**  
MHCCOV15-ME-RG

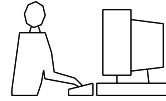


THIS SERIES FULLY CONFORMS TO THE EUROPEAN UNION DIRECTIVES 2002/95/EC AND 2002/96/EC FOR RoHS COMPLIANCY.



**MH CONNECTORS ,  
DIVISION OF EDAC**

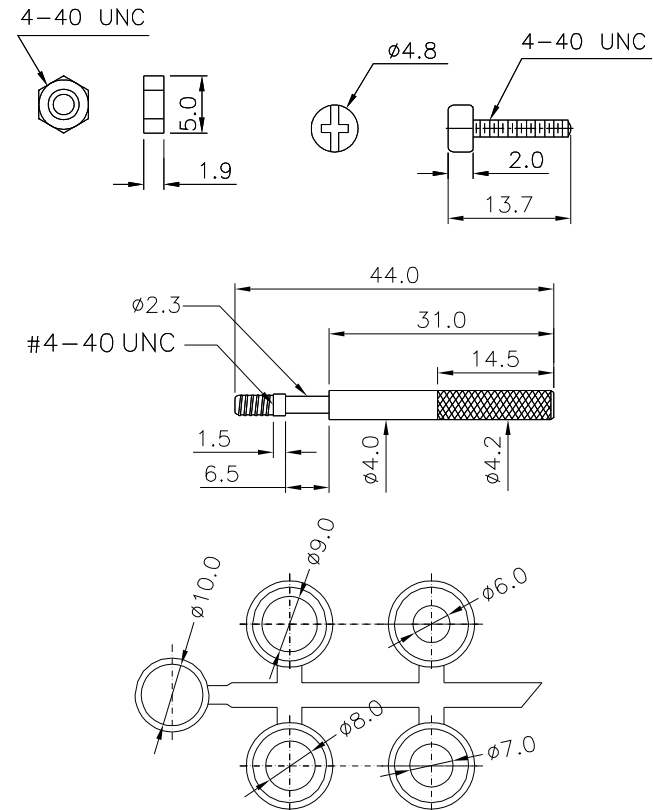
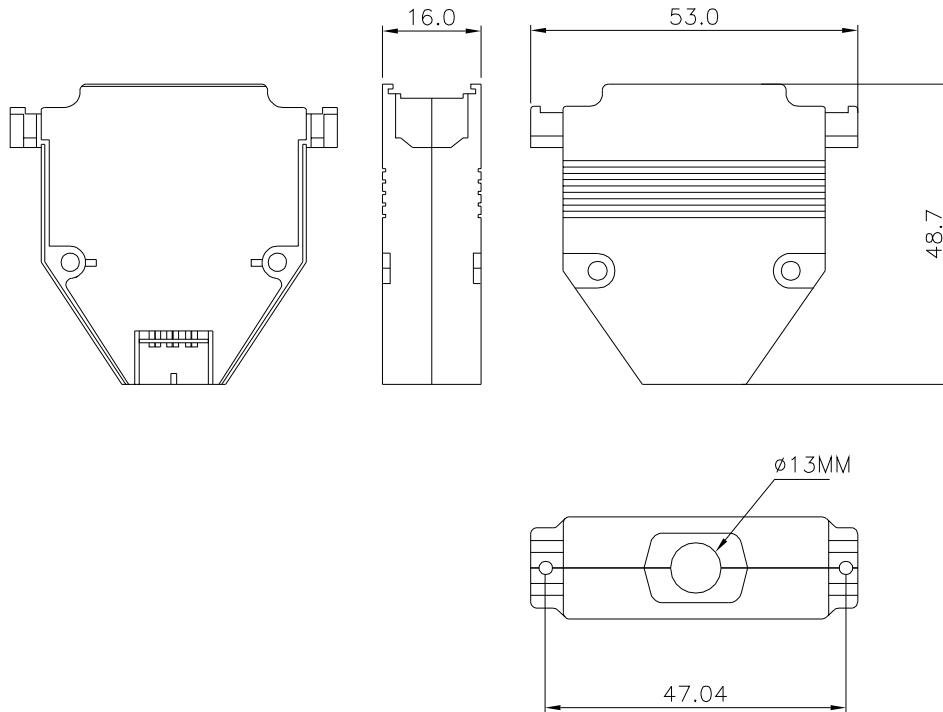
THIS IS A C.A.D. GENERATED DRAWING  
DO NOT MAKE MANUAL REVISIONS TO MASTER.



\* UNLESS OTHERWISE SPECIFIED TOLERANCES  
ON DECIMAL IS: ANGLE  $\pm 1'$   
UNIT: MM X.  $\pm 0.5$   
.X  $\pm 0.3$   
.XX  $\pm 0.2$

BACKSHELL KIT INCLUDES:

- (2)BACKSHELL HALVES
- (2)4-40 SHELLSCREWS
- (2)NUTS
- (2)4-40 LONG JACKSCREW(MEL-VERSION)
- (1)SET OF COMPRESSION INSERTS-VARIOUS SIZES DIAMETERS 6mm,7mm,8mm,9mm,10mm



BACKSHELL MATERIAL: ZINC ALLOY  
PLATING: CHROMATE PLATED  
JACKSCREWS: STEEL  
SHELLSCREWS: STEEL

THESE DRAWINGS AND SPECIFICATIONS ARE THE PROPERTY OF MH CONNECTORS LTD. AND SHALL NOT BE REPRODUCED, COPIED OR USED AS THE BASIS FOR THE MANUFACTURE OR SALE OF APPARATUS WITHOUT WRITTEN PERMISSION.		DRAWN	DATE
		Change zhang	11-18-16
		APPROVED	DATE
		Victor Lin	11-18-16
SCALE	SHEET OF	REV:	
	1 OF 1	1.0	
DRAWING No MHCCOV25-MEL-RG			

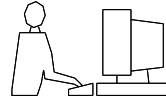


THIS SERIES FULLY CONFORMS TO THE EUROPEAN UNION DIRECTIVES 2002/95/EC AND 2002/96/EC FOR RoHS COMPLIANCY.



MH CONNECTORS,  
DIVISION OF EDAC

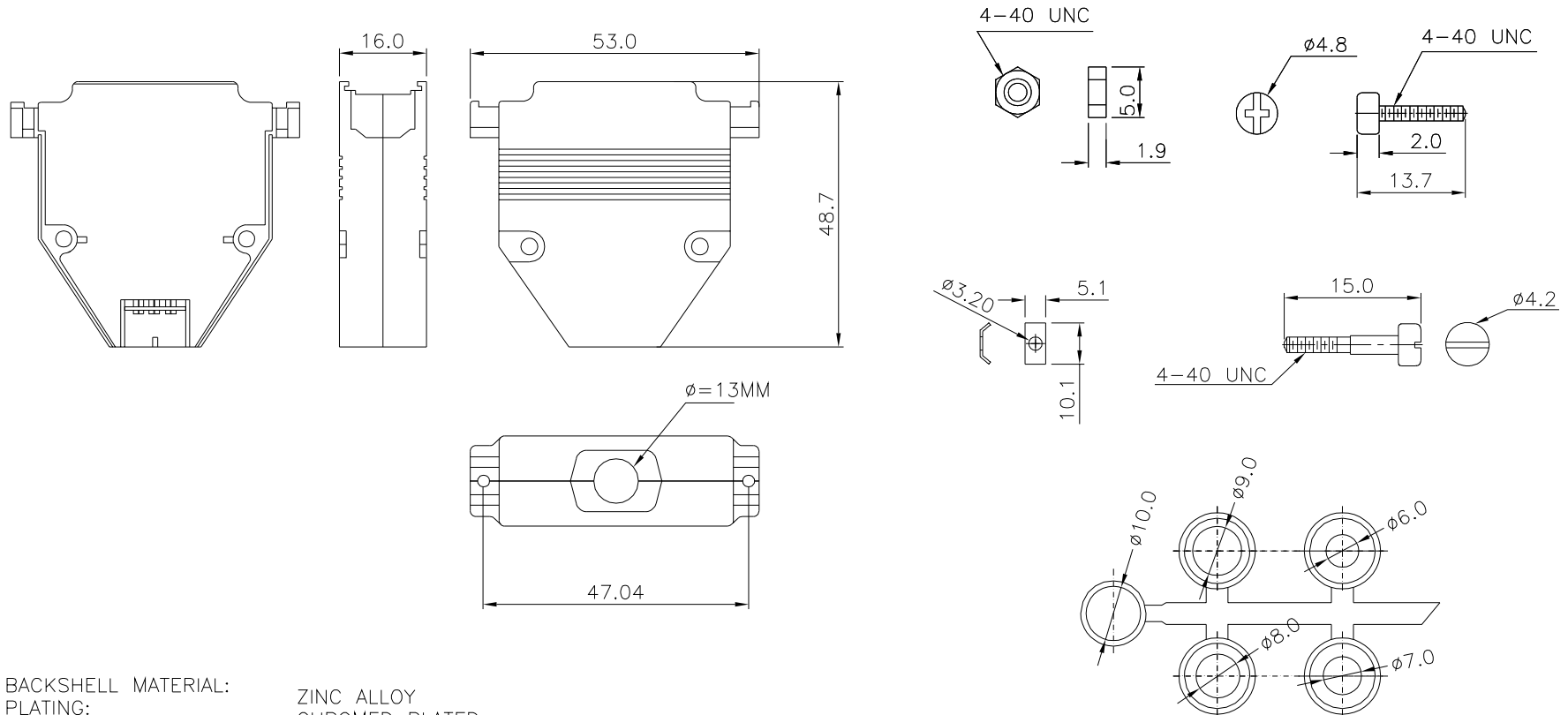
THIS IS A C.A.D. GENERATED DRAWING  
DO NOT MAKE MANUAL REVISIONS TO MASTER.



\* UNLESS OTHERWISE SPECIFIED TOLERANCES  
ON DECIMAL IS: ANGLE  $\pm 1^\circ$   
UNIT: MM X.  $\pm 0.5$   
.X  $\pm 0.3$   
.XX  $\pm 0.2$

BACKSHELL KIT INCLUDES:

- (2)BACKSHELL HALVES
- (2)4-40 SHELLSCREWS
- (2)NUTS
- (2)CLAMPS
- (2)4-40 SHORT JACKSCREW(ME-VERSION)
- (1)SET OF COMPRESSION INSERTS-VARIOUS SIZES DIAMETERS 6mm,7mm,8mm,9mm,10mm



BACKSHELL MATERIAL: ZINC ALLOY  
PLATING: CHROMED PLATED  
JACKSCREWS: STEEL  
SHELLSCREWS: STEEL

THESE DRAWINGS AND SPECIFICATIONS ARE THE PROPERTY OF MH CONNECTORS LTD. AND SHALL NOT BE REPRODUCED, COPIED OR USED AS THE BASIS FOR THE MANUFACTURE OR SALE OF APPARATUS WITHOUT WRITTEN PERMISSION.			DRAWN	DATE
			Change zhang	11-18-16
			APPROVED	DATE
			Victor Lin	11-18-16
SCALE	SHEET OF	REV:		
	1 OF 1	1.0		
DRAWING No MHCCOV25-ME-RG				

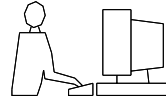


THIS SERIES FULLY CONFORMS TO THE EUROPEAN UNION DIRECTIVES 2002/95/EC AND 2002/96/EC FOR RoHS COMPLIANCY.



MH CONNECTORS,  
DIVISION OF EDAC

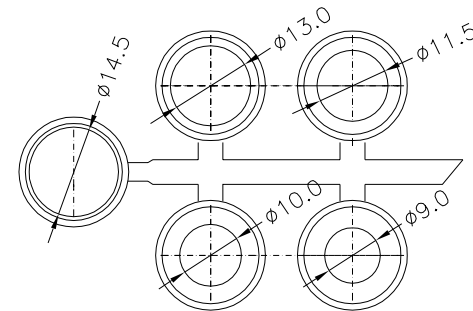
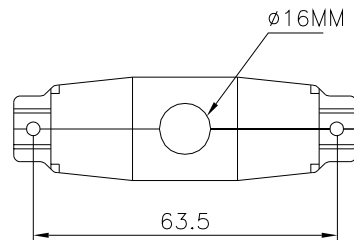
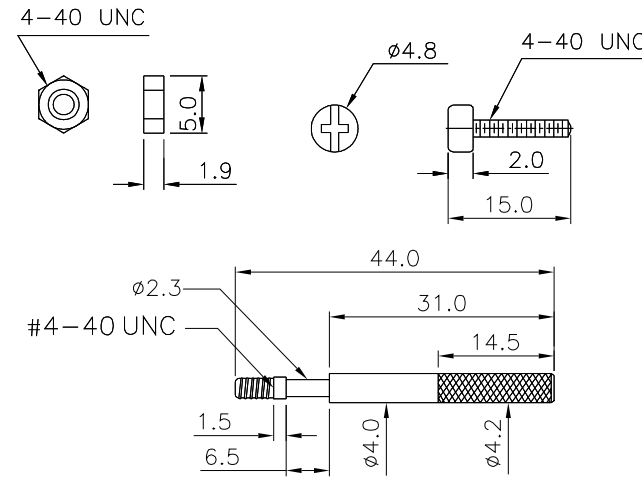
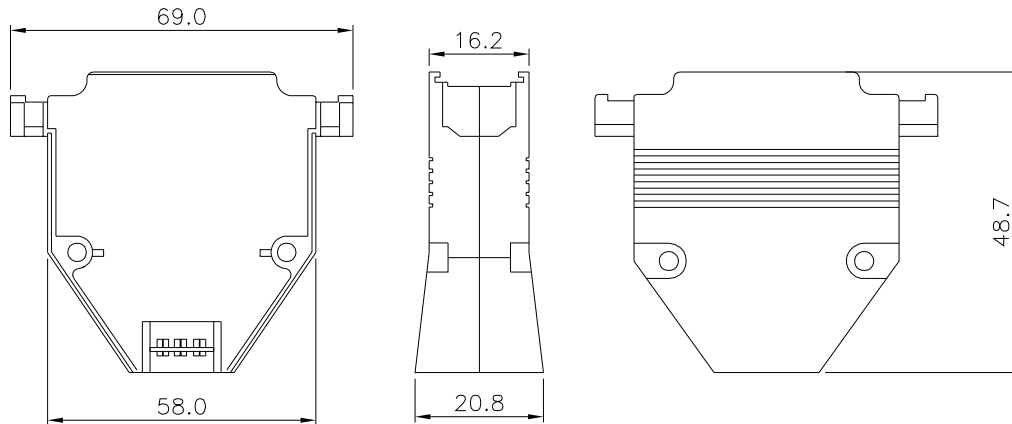
THIS IS A C.A.D. GENERATED DRAWING  
DO NOT MAKE MANUAL REVISIONS TO MASTER.



\* UNLESS OTHERWISE SPECIFIED TOLERANCES  
ON DECIMAL IS: ANGLE ± 1°  
UNIT: MM X. ± 0.5  
.X ± 0.3  
.XX ± 0.2

BACKSHELL KIT INCLUDES:

- (2) BACKSHELL HALVES
- (2) 4-40 SHELLSCREWS
- (2) NUTS
- (2) 4-40 LONG JACKSCREW (MEL-VERSION)
- (1) SET OF COMPRESSION INSERTS-VARIOUS SIZES DIAMETERS 9mm, 10mm, 11.5mm, 13mm, 14.5mm



BACKSHELL MATERIAL: ZINC ALLOY  
PLATING: CHROMATE PLATED  
JACKSCREWS: STEEL  
SHELLSCREWS: STEEL

THESE DRAWINGS AND SPECIFICATIONS ARE THE PROPERTY OF MH CONNECTORS LTD. AND SHALL NOT BE REPRODUCED, COPIED OR USED AS THE BASIS FOR THE MANUFACTURE OR SALE OF APPARATUS WITHOUT WRITTEN PERMISSION.

<b>DRAWN</b> Change zhang	<b>DATE</b> 11-18-16
------------------------------	-------------------------

<b>APPROVED</b> Victor Lin	<b>DATE</b> 11-18-16
-------------------------------	-------------------------



THIS SERIES FULLY CONFORMS TO THE EUROPEAN UNION DIRECTIVES 2002/95/EC AND 2002/96/EC FOR RoHS COMPLIANCY.

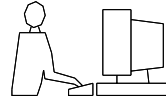


MH CONNECTORS,  
DIVISION OF EDAC

<b>SCALE</b>	<b>SHEET OF</b> 1 OF 1	<b>REV:</b> 1.0
--------------	---------------------------	--------------------

**DRAWING No**  
MHCCOV37-MEL-RG

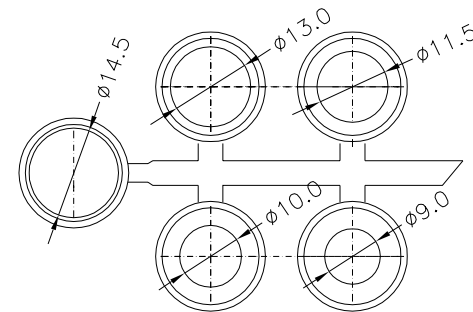
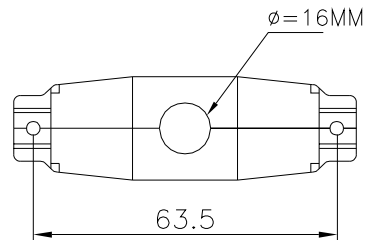
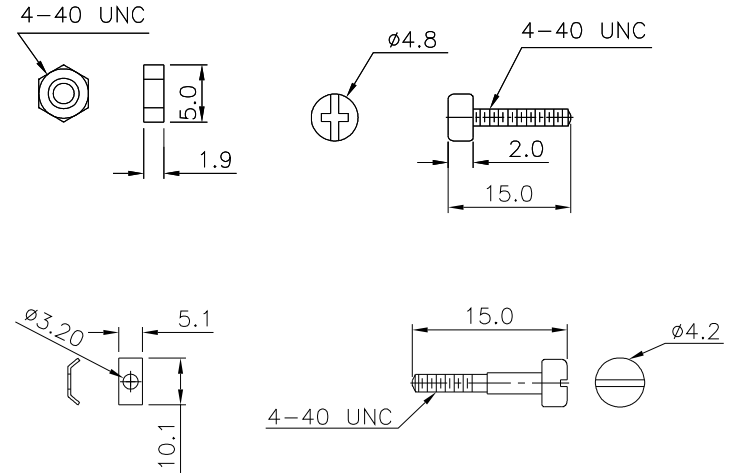
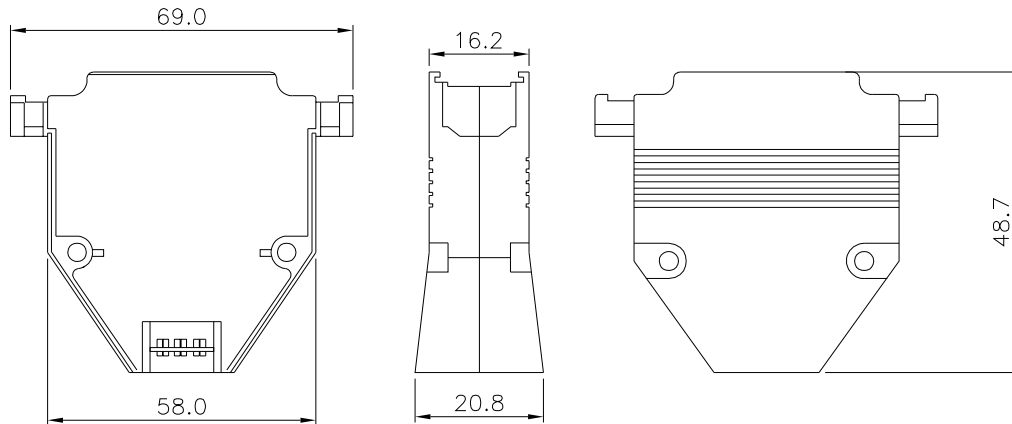
THIS IS A C.A.D. GENERATED DRAWING  
DO NOT MAKE MANUAL REVISIONS TO MASTER.



\* UNLESS OTHERWISE SPECIFIED TOLERANCES  
ON DECIMAL IS: ANGLE ± 1°  
UNIT: MM X. ± 0.5  
.X ± 0.3  
.XX ± 0.2

BACKSHELL KIT INCLUDES:

- (2) BACKSHELL HALVES
- (2) 4-40 SHELLSCREWS
- (2) NUTS
- (2) CLAMPS
- (2) 4-40 SHORT JACKSCREW (ME-VERSION)
- (1) SET OF COMPRESSION INSERTS-VARIOUS SIZES DIAMETERS 9mm, 10mm, 11.5mm, 13mm, 14.5mm



BACKSHELL MATERIAL: ZINC ALLOY  
PLATING: CHROMED PLATED  
JACKSCREWS: STEEL  
SHELLSCREWS: STEEL

THESE DRAWINGS AND SPECIFICATIONS ARE THE PROPERTY OF MH CONNECTORS LTD. AND SHALL NOT BE REPRODUCED, COPIED OR USED AS THE BASIS FOR THE MANUFACTURE OR SALE OF APPARATUS WITHOUT WRITTEN PERMISSION.

<b>DRAWN</b> Change zhang	<b>DATE</b> 11-18-16
------------------------------	-------------------------

<b>APPROVED</b> Victor Lin	<b>DATE</b> 11-18-16
-------------------------------	-------------------------

<b>SCALE</b>	<b>SHEET OF</b> 1 OF 1	<b>REV:</b> 1.0
--------------	---------------------------	--------------------

**DRAWING No**  
MHCCOV37-ME-RG



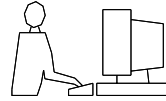
THIS SERIES FULLY CONFORMS TO THE EUROPEAN UNION DIRECTIVES 2002/95/EC AND 2002/96/EC FOR RoHS COMPLIANCY.



**MH CONNECTORS ,  
DIVISION OF EDAC**



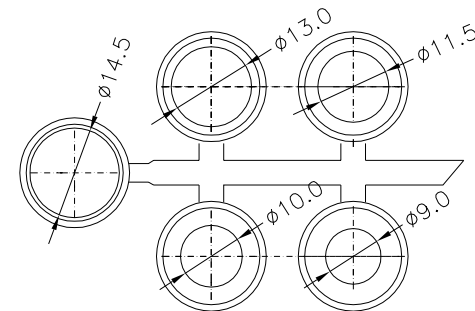
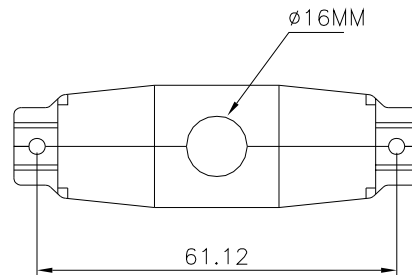
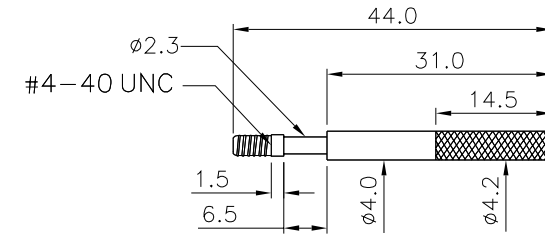
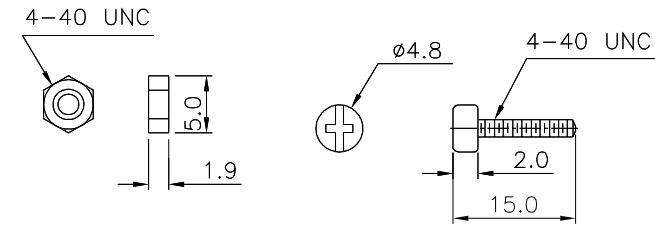
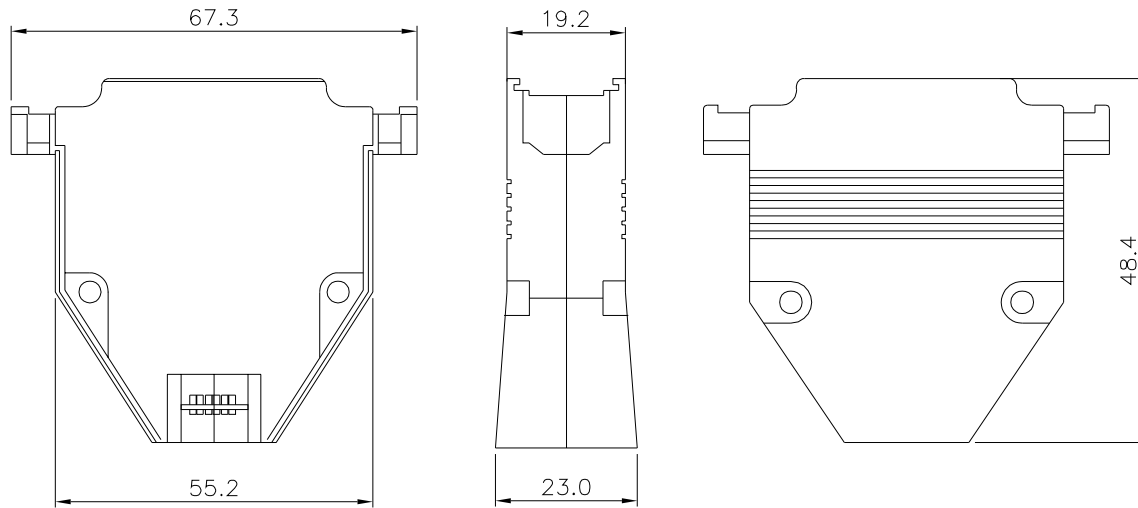
THIS IS A C.A.D. GENERATED DRAWING  
DO NOT MAKE MANUAL REVISIONS TO MASTER.



\* UNLESS OTHERWISE SPECIFIED TOLERANCES  
ON DECIMAL IS: ANGLE ± 1°  
UNIT: MM X ± 0.5  
.X ± 0.3  
.XX ± 0.2

BACKSHELL KIT INCLUDES:

- (2) BACKSHELL HALVES
- (2) 4-40 SHELLSCREWS
- (2) NUTS
- (2) 4-40 LONG JACKSCREW (MEL-VERSION)
- (1) SET OF COMPRESSION INSERTS-VARIOUS SIZES DIAMETERS 9mm, 10mm, 11.5mm, 13mm, 14.5mm



BACKSHELL MATERIAL: ZINC ALLOY  
PLATING: CHROMATE PLATED  
JACKSCREWS: STEEL  
SHELLSCREWS: STEEL

THESE DRAWINGS AND SPECIFICATIONS ARE THE PROPERTY OF MH CONNECTORS LTD. AND SHALL NOT BE REPRODUCED, COPIED OR USED AS THE BASIS FOR THE MANUFACTURE OR SALE OF APPARATUS WITHOUT WRITTEN PERMISSION.

<b>DRAWN</b> Change zhang	<b>DATE</b> 11-18-16
------------------------------	-------------------------

<b>APPROVED</b> Victor Lin	<b>DATE</b> 11-18-16
-------------------------------	-------------------------

<b>SCALE</b>	<b>SHEET OF</b> 1 OF 1	<b>REV:</b> 1.0
--------------	---------------------------	--------------------

**DRAWING No**  
MHCCOV50-MEL-RG

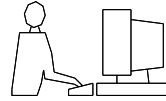


THIS SERIES FULLY CONFORMS TO THE EUROPEAN UNION DIRECTIVES 2002/95/EC AND 2002/96/EC FOR RoHS COMPLIANCY.



MH CONNECTORS,  
DIVISION OF EDAC

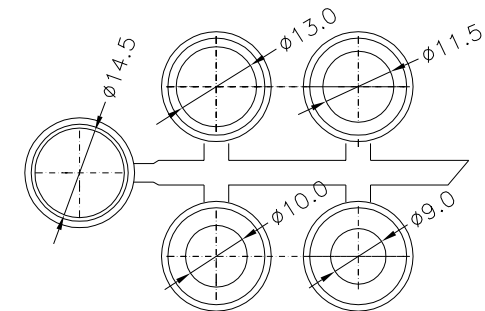
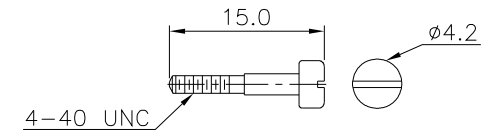
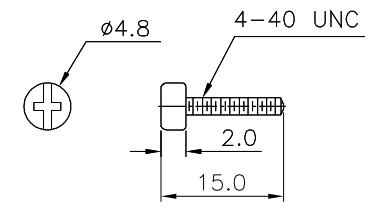
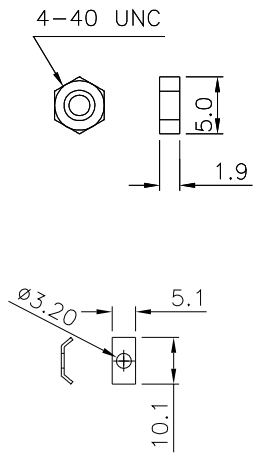
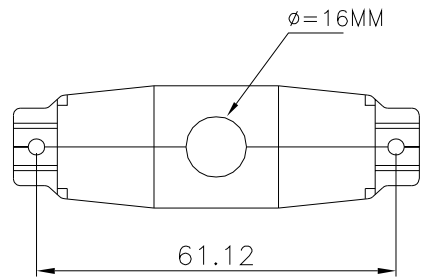
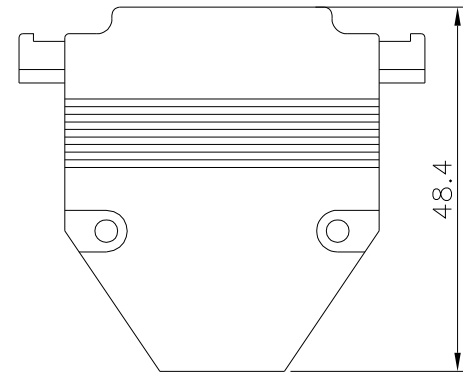
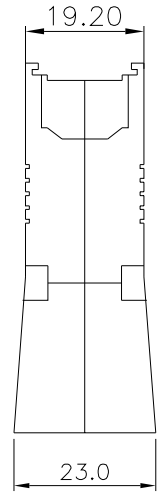
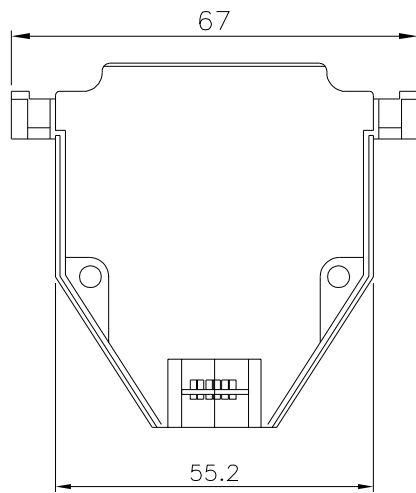
THIS IS A C.A.D. GENERATED DRAWING  
DO NOT MAKE MANUAL REVISIONS TO MASTER.



\* UNLESS OTHERWISE SPECIFIED TOLERANCES  
ON DECIMAL IS: ANGLE ± 1°  
UNIT: MM X. ± 0.5  
.X ± 0.3  
.XX ± 0.2

BACKSHELL KIT INCLUDES:

- (2) BACKSHELL HALVES
- (2) 4-40 SHELLSCREWS
- (2) NUTS
- (2) CLAMPS
- (2) 4-40 SHORT JACKSCREW (ME-VERSION)
- (1) SET OF COMPRESSION INSERTS—VARIOUS SIZES DIAMETERS 9mm, 10mm, 11.5mm, 13mm, 14.5mm



BACKSHELL MATERIAL: ZINC ALLOY  
PLATING: CHROMED PLATED  
JACKSCREWS: STEEL  
SHELLSCREWS: STEEL

THESE DRAWINGS AND SPECIFICATIONS ARE THE PROPERTY OF MH CONNECTORS LTD. AND SHALL NOT BE REPRODUCED, COPIED OR USED AS THE BASIS FOR THE MANUFACTURE OR SALE OF APPARATUS WITHOUT WRITTEN PERMISSION.

DRAWN	DATE
Change zhang	11-18-16

APPROVED	DATE
Victor Lin	11-18-16

SCALE	SHEET OF	REV:
	1 OF 1	1.0

DRAWING No  
MHCCOV50-ME-RG



THIS SERIES FULLY CONFORMS TO THE EUROPEAN UNION DIRECTIVES 2002/95/EC AND 2002/96/EC FOR RoHS COMPLIANCY.



MH CONNECTORS,  
DIVISION OF EDAC