

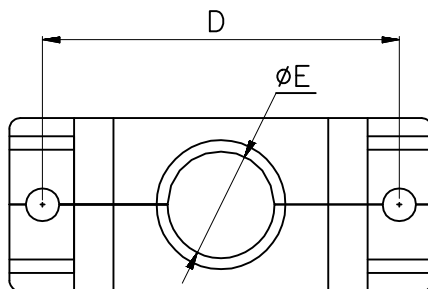
THIS IS A C.A.D. GENERATED DRAWING  
DO NOT MAKE MANUAL REVISIONS TO MASTER.



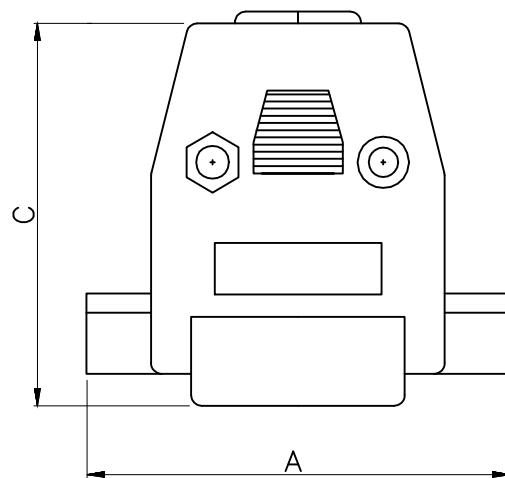
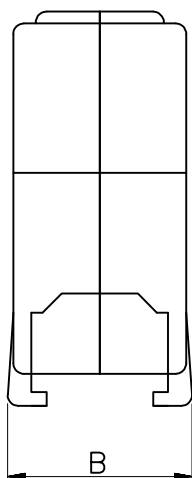
\* UNLESS OTHERWISE SPECIFIED TOLERANCES  
ON DECIMAL IS: ANGLE ±5°  
UNIT: MM

**BACKSHELL KIT INCLUDES:**

- (2)BACKSHELL HALVES
- (2)HOUSING SCREWS
- (2)MATING SCREWS
- (2)CRIMP SCREWS
- (2)NUT
- (2)CRIMP
- (2)WASHER



DIMENSIONS(mm/in)					
SIZE	A $\pm 0.3$ $\pm 0.012$	B $\pm 0.3$ $\pm 0.012$	C $\pm 0.3$ $\pm 0.012$	D $\pm 0.3$ $\pm 0.012$	E $\pm 0.3$ $\pm 0.012$
9	31.0	16.0	39.2	24.99	7.0
	1.221	0.630	1.543	0.984	0.276
15	39.6	17.3	35.8	33.3	10.0
	1.559	0.681	1.410	1.311	0.394
25	54.2	16.8	42.0	47.1	11.0
	2.134	0.661	1.654	1.854	0.433
37	69.0	20.0	51.0	63.5	13.8
	2.717	0.788	2.008	2.500	0.543



**ORDERING INFORMATION: SHORT JACKSCREWS**

SIZE	P/N - KITTED	PRODUCT CODE
9-WAY	2360-0102-01	MHCCOV 9-SC-BK
15-WAY	2360-0102-02	MHCCOV15-SC-BK
25-WAY	2360-0102-03	MHCCOV25-SC-BK
37-WAY	2360-0102-04	MHCCOV37-SC-BK

**ORDERING INFORMATION: SHORT JACKSCREWS**

SIZE	P/N - KITTED	PRODUCT CODE
9-WAY	2360-0102-11	MHCCOV 9-SC-LG
15-WAY	2360-0102-12	MHCCOV15-SC-LG
25-WAY	2360-0102-13	MHCCOV25-SC-LG
37-WAY	2360-0102-14	MHCCOV37-SC-LG

INSULATOR: ABS UL94HB  
 SCREW: STEEL, NICKEL PLATED  
 NUT: STEEL, NICKEL PLATED  
 CRIMP: STEEL, NICKEL PLATED  
 WASHER: STEEL, NICKEL PLATED  
 INSULATOR COLOR: BK=BLACK, LG=GREY

THESE DRAWINGS AND SPECIFICATIONS ARE THE PROPERTY OF MH CONNECTORS LTD. AND SHALL NOT BE REPRODUCED, COPIED OR USED AS THE BASIS FOR THE MANUFACTURE OR SALE OF APPARATUS WITHOUT WRITTEN PERMISSION.

DRAWN HALEY	DATE 01-03-14
----------------	------------------

APPROVED DAMIEN	DATE 01-03-14
--------------------	------------------

SCALE	SHEET OF 1 OF 1	REV: 4.0
-------	--------------------	-------------

DRAWING No  
MHCCOVXXSC-BK/LG



THIS SERIES FULLY CONFORMS TO THE EUROPEAN UNION DIRECTIVES 2002/95/EC AND 2002/96/EC FOR RoHS COMPLIANCY.



**MH CONNECTORS LTD.**