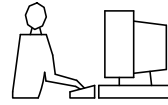


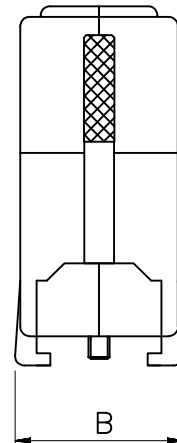
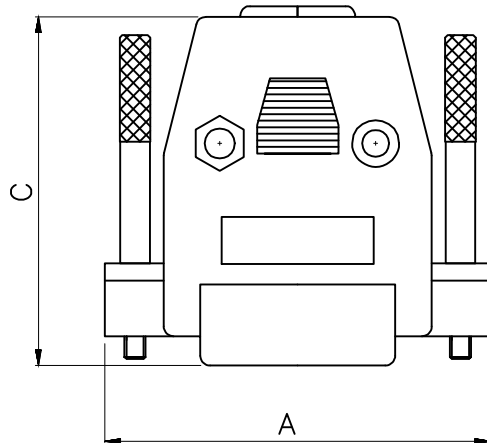
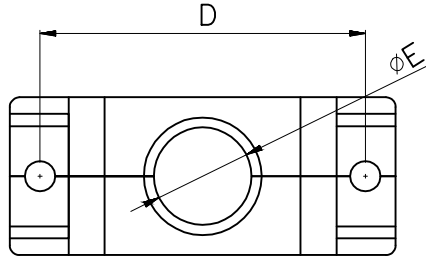
THIS IS A C.A.D. GENERATED DRAWING
DO NOT MAKE MANUAL REVISIONS TO MASTER.



* UNLESS OTHERWISE SPECIFIED TOLERANCES
ON DECIMAL IS: ANGLE $\pm 5^\circ$
UNIT: MM

BACKSHELL KIT INCLUDES:

- (2)BACKSHELL HALVES
- (2)HOUSING SCREW
- (2)THUMBSCREW
- (2)CRIMP SCREW
- (2)NUT
- (2)CRIMP



| DIMENSIONS(mm/in) | | | | | |
|-------------------|----------------------------|----------------------------|----------------------------|----------------------------|----------------------------|
| SIZE | A ± 0.3 ± 0.012 | B ± 0.3 ± 0.012 | C ± 0.3 ± 0.012 | D ± 0.3 ± 0.012 | E ± 0.3 ± 0.012 |
| 9 | 31.0 | 16.0 | 39.2 | 24.99 | 7.0 |
| | 1.221 | 0.630 | 1.543 | 0.984 | 0.276 |
| 15 | 39.6 | 17.3 | 35.8 | 33.3 | 10.0 |
| | 1.559 | 0.681 | 1.410 | 1.311 | 0.394 |
| 25 | 54.2 | 16.8 | 42.0 | 47.1 | 11.0 |
| | 2.134 | 0.662 | 1.654 | 1.854 | 0.433 |
| 37 | 69.0 | 20.0 | 51.0 | 63.5 | 13.8 |
| | 2.717 | 0.787 | 2.008 | 2.500 | 0.543 |
| 50 | 69.5 | 19.2 | 43.9 | 61.0 | 17.7 |
| | 2.736 | 0.756 | 1.729 | 2.402 | 0.697 |

ORDERING INFORMATION - LONG JACKSCREWS

| SIZE | P/N - KITTED | PRODUCT CODE BLACK |
|--------|--------------|--------------------|
| 9-WAY | 2360-0102-21 | MHCCOV 9-SCL-BK |
| 15-WAY | 2360-0102-22 | MHCCOV15-SCL-BK |
| 25-WAY | 2360-0102-23 | MHCCOV25-SCL-BK |
| 37-WAY | 2360-0102-24 | MHCCOV37-SCL-BK |
| 50-WAY | 2360-0102-25 | MHCCOV50-SCL-BK |

ORDERING INFORMATION - LONG JACKSCREWS

| SIZE | P/N - KITTED | PRODUCT CODE LIGHT GREY |
|--------|--------------|-------------------------|
| 9-WAY | 2360-0102-31 | MHCCOV 9-SCL-LG |
| 15-WAY | 2360-0102-32 | MHCCOV15-SCL-LG |
| 25-WAY | 2360-0102-33 | MHCCOV25-SCL-LG |
| 37-WAY | 2360-0102-34 | MHCCOV37-SCL-LG |
| 50-WAY | 2360-0102-35 | MHCCOV50-SCL-LG |

BACKSHELL: ABS UL94HB
 SCREW: STEEL, NICKEL PLATED
 NUT: STEEL, NICKEL PLATED
 CRIMP: STEEL, NICKEL PLATED
 BACKSHELL COLOUR: BK=BLACK LG=GREY

THESE DRAWINGS AND SPECIFICATIONS ARE THE PROPERTY OF MH CONNECTORS LTD. AND SHALL NOT BE REPRODUCED, COPIED OR USED AS THE BASIS FOR THE MANUFACTURE OR SALE OF APPARATUS WITHOUT WRITTEN PERMISSION.

| | | |
|----------------------------------|--------------------|------------------|
| DRAWN HALEY | | DATE 06-20-14 |
| APPROVED DAMIEN | | DATE 06-23-14 |
| SCALE | SHEET OF 1 OF 1 | REV: 7.0 |
| DRAWING No MHCCOVXX-SCL-BK/LG | | |



THIS SERIES FULLY CONFORMS TO THE EUROPEAN UNION DIRECTIVES 2002/95/EC AND 2002/96/EC FOR RoHS COMPLIANCY.



MH CONNECTORS LTD.