

THIS IS A C.A.D. GENERATED DRAWING
DO NOT MAKE MANUAL REVISIONS TO MASTER.



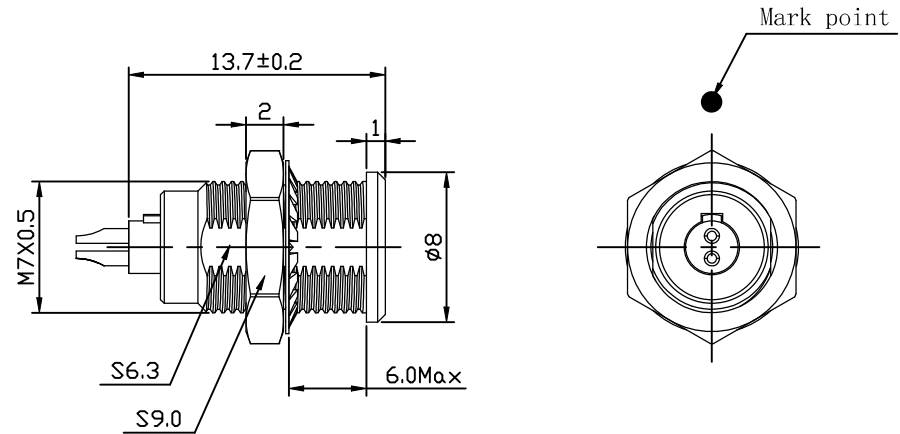
UNLESS OTHERWISE SPECIFIED TOLERANCES
ON DECIMAL IS: ANGLE
UNIT: MM X.
X.X

1) Product main performance:

Operating Temperature : -55°C~200°C
Humidity(max) : <=95% [at 60 deg C / 140 F]
Shielding : 75dB(10MHz) 40dB(1GHz)
Salt Spray Corrosion: 96hr
P op (max) : 60 bar (870 psi)

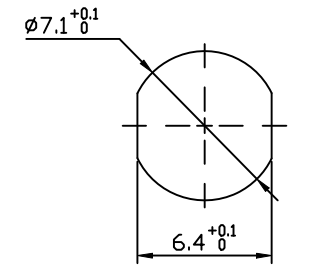
Mechanical data:
Vibration: 15g[10Hz~2000Hz]
Shock Resistance : 100g[6ms]
Endurance (Shell) : 5000+

Other Specification:
Contact PIN : Gold plated Tin bronze
Housing Material : Chrome plated brass
Other metal spare parts : Nickel plated brass
Insulator material: PPS
IP Rating : IP50
*ALL MATERIALS ARE RoHS COMPLIANT.



MHCP00xxSS

Pin Configuration



Panel cut-outs

Pin Configuration	02	03	04	05	07
Pin Number					
Pin Size (mm)	0.5	0.5	0.5	0.4	0.3
Withstand voltage (V) (AC)	750	750	750	500	300
Rated Current (A)	5.0	3.0	2.0	1.0	0.8
Insulation resistance (MΩ)	≥5000MΩ (500V (DC))				
R (max) (mΩ)	≤15	≤15	≤15	≤20	≤25
AWG (max) Stranded Wire	28	28	28	28	30

THESE DRAWINGS AND SPECIFICATIONS ARE THE PROPERTY OF MH CONNECTORS AND SHALL NOT BE REPRODUCED, COPIED OR USED AS THE BASIS FOR THE MANUFACTURE OR SALE OF APPARATUS WITHOUT WRITTEN PERMISSION.

DRAWN E.P. DATE 23-10-23

APPROVED S.R. DATE 23-10-23

SCALE NA SHEET OF 1 OF 1 REV: 2

DRAWING No MHCP00xxSS



THIS SERIES FULLY CONFORMS TO THE EUROPEAN UNION DIRECTIVES 2015/863/EU AND 2011/65/EU FOR RoHS COMPLIANCY.



MH CONNECTORS,
DIVISION OF EDAC