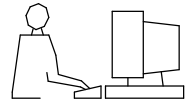
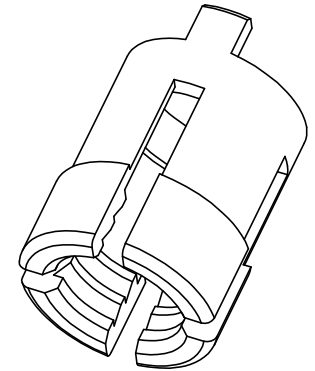
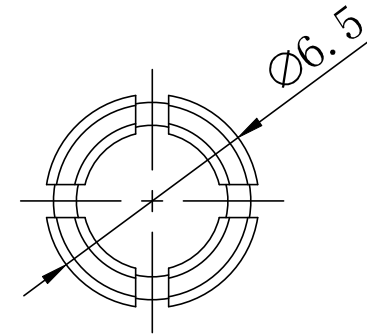
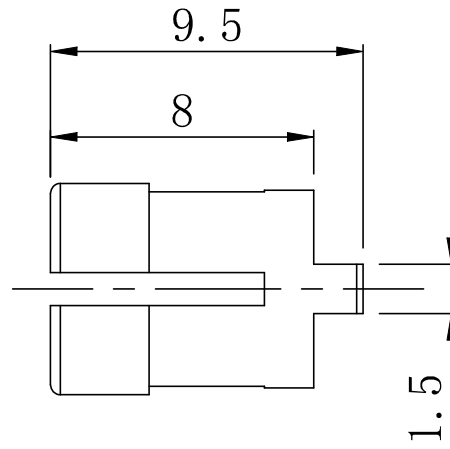


THIS IS A C.A.D. GENERATED DRAWING
DO NOT MAKE MANUAL REVISIONS TO MASTER.



UNLESS OTHERWISE SPECIFIED TOLERANCES
ON DECIMAL IS: ANGLE
UNIT: MM X.
X.X



.Product main performance:

Operating Temperature: -55°C ~ 200°C

Humidity(max): <=95% [at 60 deg C / 140 F]

Salt Spray Corrosion: 96hr

Metal spare parts: nickel plated brass

*ALL MATERIALS ARE RoHS COMPLIANT

THESE DRAWINGS AND SPECIFICATIONS ARE THE PROPERTY OF MH CONNECTORS AND SHALL NOT BE REPRODUCED, COPIED OR USED AS THE BASIS FOR THE MANUFACTURE OR SALE OF APPARATUS WITHOUT WRITTEN PERMISSION.

DRAWN	E.P.	DATE
		23-10-23

APPROVED	S.R.	DATE
		23-10-23

SCALE	SHEET OF	REV:
NA	1 OF 1	1

DRAWING No	MHCP0BAG
------------	----------



THIS SERIES FULLY CONFORMS TO THE EUROPEAN UNION DIRECTIVES 2015/863/EU AND 2011/65/EU FOR RoHS COMPLIANCY.



MH CONNECTORS,
DIVISION OF EDAC