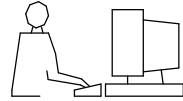


THIS IS A C.A.D. GENERATED DRAWING  
DO NOT MAKE MANUAL REVISIONS TO MASTER.



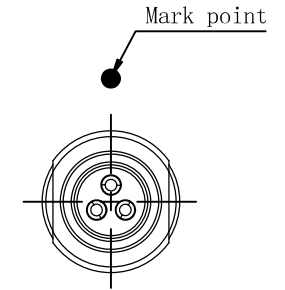
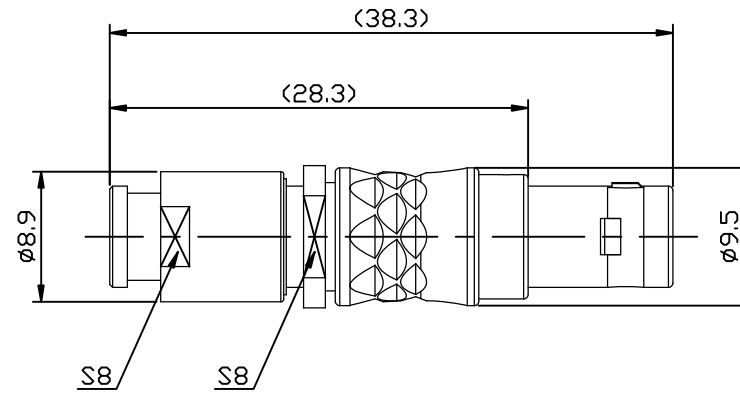
UNLESS OTHERWISE SPECIFIED TOLERANCES  
ON DECIMAL IS: ANGLE  
UNIT: MM X.  
X.X

1) Product main performance:

Operating Temperature: -55°C~200°C  
Humidity(max): <=95% [at 60 deg C / 140 F]  
Shielding: 75dB(10MHz) 40dB(1GHz)  
Salt Spray Corrosion: 96hr  
P op (max): 60 bar (870 psi)

Mechanical data:  
Vibration: 15g[10Hz~2000Hz]  
Shock Resistance: 100g[6ms]  
Endurance (Shell): 5000

Other Specification:  
Contact PIN: Gold plated Tin bronze  
Housing Material: Chrome plated brass  
Other metal spare parts: Nickel plated brass  
Insulator material: PPS  
IP Rating: IP50  
\*ALL MATERIALS ARE RoHS COMPLIANT



# MHCP0BxxPSxxS

Pin Configuration — Cable code

| Pin Configuration          | 02                 | 03  | 04    | 05    | 06  | 07  | 09  | 10  |
|----------------------------|--------------------|-----|-------|-------|-----|-----|-----|-----|
| Pin Number                 |                    |     |       |       |     |     |     |     |
| Pin Size (mm)              | 0.9                | 0.9 | 0.7   | 0.7   | 0.5 | 0.5 | 0.5 | 0.5 |
| Withstand voltage (V) (AC) | 875                | 875 | 750   | 750   | 500 | 500 | 500 | 500 |
| Rated Current (A)          | 10.0               | 8.0 | 7.0   | 6.5   | 2.5 | 2.5 | 2.0 | 2.0 |
| Insulation resistance (MΩ) | ≥5000MΩ (500V(DC)) |     |       |       |     |     |     |     |
| R (max) (mΩ)               | ≤9                 | ≤9  | ≤12.5 | ≤12.5 | ≤15 | ≤15 | ≤15 | ≤15 |
| AWG (max) Stranded Wire    | 24                 | 24  | 26    | 26    | 30  | 30  | 30  | 30  |

| Cable code | Cable diameter (mm) |      |
|------------|---------------------|------|
|            | Min                 | Maxi |
| 10         | 1.6                 | 2.0  |
| 20         | 2.1                 | 3.0  |
| 30         | 2.4                 | 3.3  |
| 40         | 3.1                 | 4.0  |
| 50         | 4.1                 | 5.0  |

THESE DRAWINGS AND SPECIFICATIONS ARE THE PROPERTY OF MH CONNECTORS AND SHALL NOT BE REPRODUCED, COPIED OR USED AS THE BASIS FOR THE MANUFACTURE OR SALE OF APPARATUS WITHOUT WRITTEN PERMISSION.

DRAWN E.P. DATE 23-10-23

APPROVED S.R. DATE 23-10-23

SCALE NA SHEET OF 1 OF 1 REV: 2

DRAWING No MHCP0BxxPSxxS



THIS SERIES FULLY CONFORMS TO THE EUROPEAN UNION DIRECTIVES 2015/863/EU AND 2011/65/EU FOR RoHS COMPLIANCY.



MH CONNECTORS,  
DIVISION OF EDAC