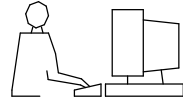


THIS IS A C.A.D. GENERATED DRAWING
DO NOT MAKE MANUAL REVISIONS TO MASTER.



MHCP1BxxRD

UNLESS OTHERWISE SPECIFIED TOLERANCES
ON DECIMAL IS: ANGLE
X.X
UNIT: MM
X.X

1) Product main performance:

Operating Temperature: -55°C~125°C
Humidity(max): <=95% [at 60 deg C / 140 F]
Shielding : 75dB(10MHz) 40dB(1GHz)
Salt Spray Corrosion: 96hr
P op (max): 60 bar (870 psi)

Mechanical data:

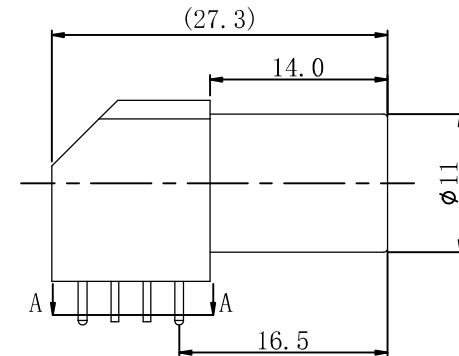
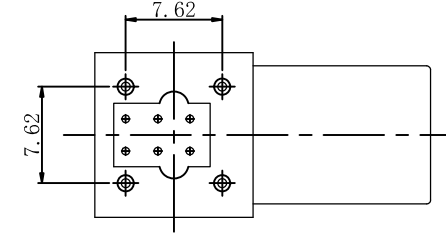
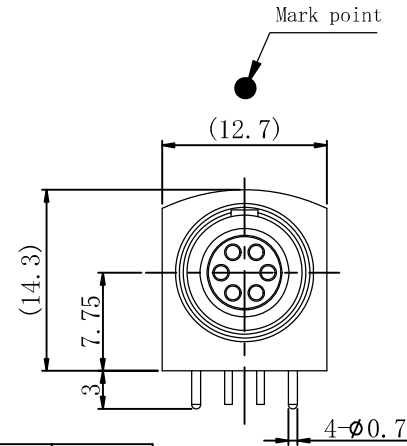
Vibration: 15g[10Hz~2000Hz]
Shock Resistance: 100g[6ms]
Endurance (Shell): 5000

Other Specification:

Contact PIN: Gold plated Tin bronze
Housing Material: Chrome plated brass
Other metal spare parts: Nickel plated brass
Insulator material: PPS
Insert molding material: PVC
IP Rating: IP50

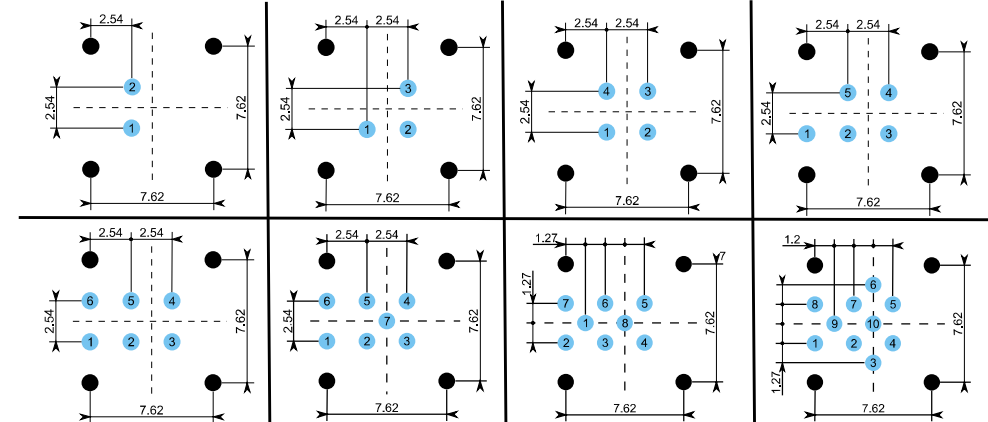
*ALL MATERIALS ARE RoHS COMPLIANT

Pin Configuration



Pin Configuration	02	03	04	05	06	07	08	10
Pin Number								
Pin Size (mm)	1.3	1.3	0.9	0.9	0.7	0.7	0.7	0.5
Withstand voltage (V) (AC)	1000	1000	875	875	875	875	875	750
Rated Current (A)	15.0	12.0	10.0	9.0	7.0	7.0	5.0	2.5
Insulation resistance (MΩ)	≥5000MΩ (500V (DC))							
R (max) (mΩ)	≤5	≤5	≤9	≤9	≤12.5	≤12.5	≤12.5	≤15

RECOMMENDED PCB LAYOUT



THESE DRAWINGS AND SPECIFICATIONS ARE THE PROPERTY OF MH CONNECTORS AND SHALL NOT BE REPRODUCED, COPIED OR USED AS THE BASIS FOR THE MANUFACTURE OR SALE OF APPARATUS WITHOUT WRITTEN PERMISSION.

DRAWN E.P. DATE 23-10-23

APPROVED S.R. DATE 23-10-23

SCALE NA SHEET OF 1 OF 1 REV: 2

DRAWING No MHCP1BxxRD



THIS SERIES FULLY CONFORMS TO THE EUROPEAN UNION DIRECTIVES 2015/863/EU AND 2011/65/EU FOR RoHS COMPLIANCY.



MH CONNECTORS,
DIVISION OF EDAC