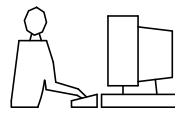


THIS IS A C.A.D. GENERATED DRAWING  
DO NOT MAKE MANUAL REVISIONS TO MASTER.

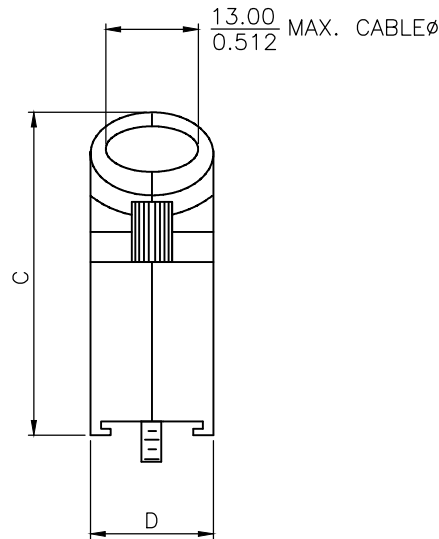
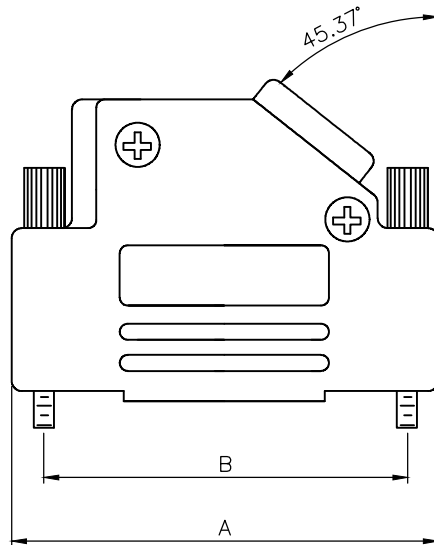


\* UNLESS OTHERWISE SPECIFIED TOLERANCES  
ON DECIMAL IS:

**BACKSHELL KIT INCLUDES:**

- (2)BACKSHELL HALVES
- (2)4-40 THUMBSCREWS
- (2)HOUSING SCREWS & (2)NUTS
- (1)SET OF COMPRESSION INSERTS-VARIOUS SIZES  
DIAMETERS:4mm(.157"),5mm(.197"),7mm(.276"),9mm(.351")

NOTE: 9 POSITION HAS ONLY 1 THUMBSCREW  
(OPPOSITE CABLE ENTRY)



DIMENSIONS(mm/in)				
SIZE	A $+1.70^{(+.067)}$ $-1.50^{(-.02)}$	B $+25$ $-.010$	C $+2.40^{(+.094)}$ $-2.50^{(-.02)}$	D $+85^{(+.033)}$ $-30^{(-.012)}$
9	31.00	24.99	36.30	15.00
	1.220	0.984	1.429	0.591
15	39.50	33.32	40.30	15.00
	1.555	1.312	1.587	0.591
25	53.20	47.04	40.30	15.00
	2.094	1.852	1.587	0.591
37	69.70	63.50	40.30	15.00
	2.744	2.500	1.587	0.591

**ORDERING INFORMATION:**

SIZE	P/N - KITTED	PRODUCT CODE
9-WAY	6560-0146-11	MHD45PK-9-K
15-WAY	6560-0146-12	MHD45PK-15-K
25-WAY	6560-0146-13	MHD45PK-25-K
37-WAY	6560-0146-14	MHD45PK-37-K

SIZE	P/N - BULK	PRODUCT CODE
9-WAY	6561-0146-11	MHD45PK-9
15-WAY	6561-0146-12	MHD45PK-15
25-WAY	6561-0146-13	MHD45PK-25
37-WAY	6561-0146-14	MHD45PK-37

PLASTIC: ABS POLYLAC-UL RECOGNIZED  
NICKEL PLATED

4-40 THUMBSCREWS: STEEL-Zn PLATED

HOOD SCREWS: STEEL-Zn PLATED

COMPRESSION INSERTS: ABS UL RECOGNIZED

NUTS: STEEL-Zn PLATED

OPERATING TEMP: -55°C TO+110°C

THESE DRAWINGS AND SPECIFICATIONS ARE THE  
PROPERTY OF MH CONNECTORS AND SHALL NOT BE  
REPRODUCED, COPIED OR USED AS THE BASIS FOR  
THE MANUFACTURE OR SALE OF APPARATUS WITHOUT  
WRITTEN PERMISSION.

DRAWN  
Johnny  
DATE  
11-24-15

APPROVED  
Victor Lin  
DATE  
11-24-15

SCALE  
1 : 1  
SHEET OF  
1 OF 1  
REV:  
6.0



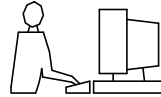
THIS SERIES FULLY CONFORMS TO THE  
EUROPEAN UNION DIRECTIVES 2002/95/EC  
AND 2002/96/EC FOR RoHS COMPLIANCY.



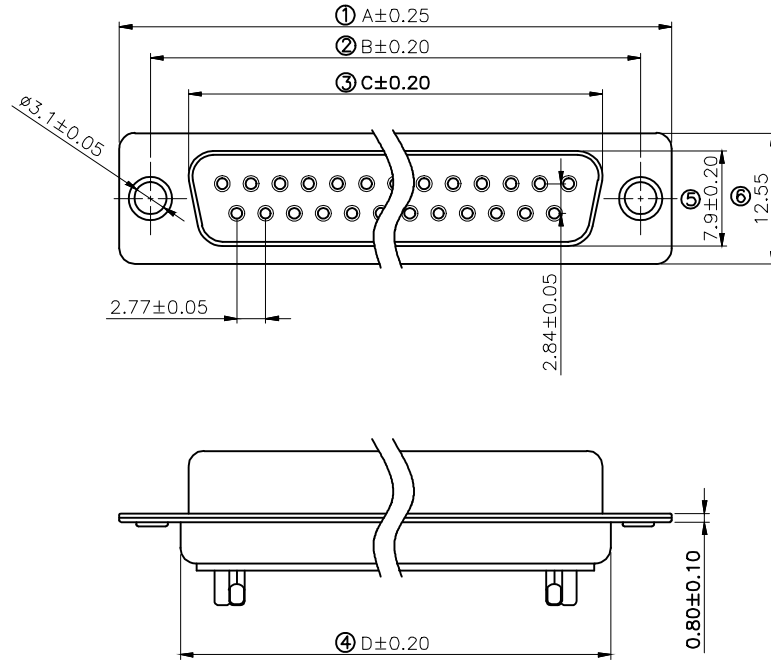
**MH CONNECTORS ,  
DIVISION OF EDAC**

DRAWING No  
MHD45PK SERIES

THIS IS A C.A.D. GENERATED DRAWING  
DO NOT MAKE MANUAL REVISIONS TO MASTER.



\* UNLESS OTHERWISE SPECIFIED TOLERANCES  
ON DECIMAL IS: ANGLE  $\pm 1^\circ$   
.X  $\pm 0.25$   
.XX  $\pm 0.15$



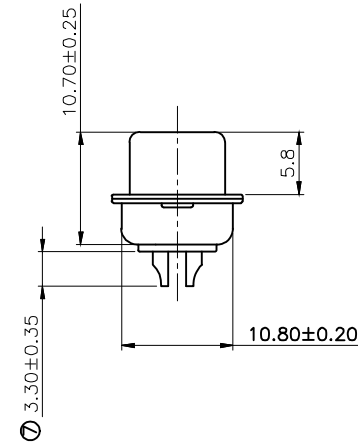
Remark:

1.SPECIFICATION:

Rated voltage:250V  
Rates current:5AMP  
Contact resistance:20M $\Omega$  MAX  
Insulation resistance:1000M $\Omega$  MIN.at 500V DC  
Withstand voltage:500V Per mintute  
Temperature range:-55 -105 $^\circ$ C

2.MATERIAL:

Plastic:PBT+30% G.F (UL94V-0) BLACK  
Terminal:brass ,tin-gold plated  
Spcc shell:Spcc front shell is nickel plated back shell is nickel plated



PN	PIN	A	B	C	D
MHDB9SS	09	30.88	24.88	16.17	18.94
MHDB15SS	15	39.20	33.30	24.66	27.50
MHDB25SS	25	53.02	47.04	38.38	41.20
MHDB37SS	37	69.40	63.50	55.20	57.40

THESE DRAWINGS AND SPECIFICATIONS ARE THE PROPERTY OF MH CONNECTORS AND SHALL NOT BE REPRODUCED, COPIED OR USED AS THE BASIS FOR THE MANUFACTURE OR SALE OF APPARATUS WITHOUT WRITTEN PERMISSION.

DRAWN  
Iven Ou  
DATE  
08-31-22

APPROVED  
DATE

SCALE  
1 : 1  
SHEET OF  
1 OF 1  
REV:  
3.0

DRAWING No  
MHDB SS



THIS SERIES FULLY CONFORMS TO THE EUROPEAN UNION DIRECTIVES 2002/95/EC AND 2002/96/EC FOR RoHS COMPLIANCY.



MH CONNECTORS ,  
DIVISION OF EDAC