

**BACKSHELL KIT INCLUDES:**

(2) BACKSHELL HALVES

(2) 4-40 THUMBSCREWS

(2) HOUSING SCREWS & (2) NUTS

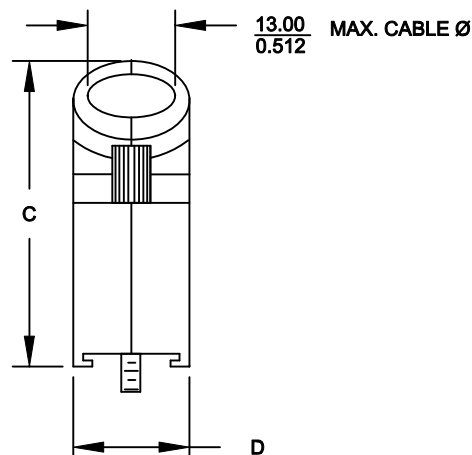
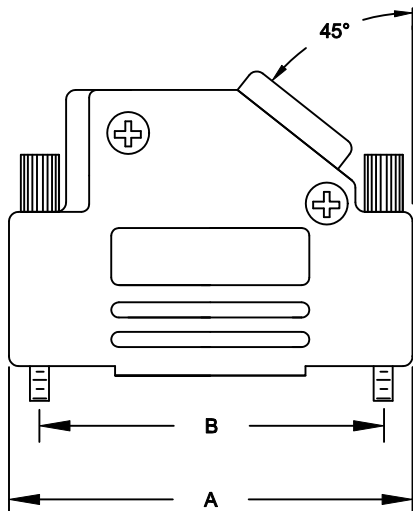
(1) SET OF COMPRESSION INSERTS - VARIOUS SIZES

DIAMETERS: 4mm (.157"), 5mm (.197"), 7mm (.276"), 9mm (.351")

NOTE: 9 POSITION HAS ONLY 1 THUMBSCREW

(OPPOSITE CABLE ENTRY)

| DIMENSIONS (mm/in) |                            |                           |                           |                           |
|--------------------|----------------------------|---------------------------|---------------------------|---------------------------|
| SIZE:              | A $\pm 1.27$<br>$\pm .050$ | B $\pm .13$<br>$\pm .005$ | C $\pm .25$<br>$\pm .010$ | D $\pm .25$<br>$\pm .010$ |
| 9                  | 31.00                      | 24.99                     | 36.30                     | 15.00                     |
|                    | 1.220                      | 0.984                     | 1.429                     | 0.591                     |
| 15                 | 39.50                      | 33.32                     | 40.30                     | 15.00                     |
|                    | 1.555                      | 1.312                     | 1.587                     | 0.591                     |
| 25                 | 53.20                      | 47.04                     | 40.30                     | 15.00                     |
|                    | 2.094                      | 1.852                     | 1.587                     | 0.591                     |
| 37                 | 69.70                      | 63.50                     | 1.587                     | 15.00                     |
|                    | 2.744                      | 2.500                     | 1.646                     | 0.591                     |



**ORDERING INFORMATION**

| SIZE:  | P/N KITTED:  | PRODUCT CODE:    |
|--------|--------------|------------------|
| 9-WAY  | 6560-0107-11 | MHD45PPK-9-BK-K  |
| 15-WAY | 6560-0107-12 | MHD45PPK-15-BK-K |
| 25-WAY | 6560-0107-13 | MHD45PPK-25-BK-K |
| 37-WAY | 6560-0107-14 | MHD45PPK-37-BK-K |

| SIZE:  | P/N BULK:    | PRODUCT CODE:  |
|--------|--------------|----------------|
| 9-WAY  | 6561-0107-11 | MHD45PPK-9-BK  |
| 15-WAY | 6561-0107-12 | MHD45PPK-15-BK |
| 25-WAY | 6561-0107-13 | MHD45PPK-25-BK |
| 37-WAY | 6561-0107-14 | MHD45PPK-37-BK |

PLASTIC: ABS POLYLAC - BLACK - UL RECOGNIZED

4-40 THUMBSCREWS: STEEL - BLACK OXIDE

HOOD SCREWS: STEEL - BLACK OXIDE

COMPRESSION INSERTS: ABS UL RECOGNIZED

NUTS: STEEL - STEEL - BLACK OXIDE

OPERATING TEMP: -55°C TO +110°C

THESE DRAWINGS AND SPECIFICATIONS ARE THE PROPERTY OF MH CONNECTORS LTD. AND SHALL NOT BE REPRODUCED, COPIED OR USED AS THE BASIS FOR THE MANUFACTURE OR SALE OF APPARATUS WITHOUT WRITTEN PERMISSION.

|              |             |
|--------------|-------------|
| <b>DRAWN</b> | <b>DATE</b> |
| P. JENKINS   | 03-14-12    |

|                 |             |
|-----------------|-------------|
| <b>APPROVED</b> | <b>DATE</b> |
| D. CROFT        | 03-14-12    |

|              |              |           |             |
|--------------|--------------|-----------|-------------|
| <b>SCALE</b> | <b>SHEET</b> | <b>OF</b> | <b>REV:</b> |
| NTS          | 1            | 1         | B           |

**DRAWING No**  
MHD45PPK SERIES

**RoHS COMPLIANT**



**MH CONNECTORS LTD.**