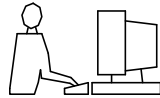
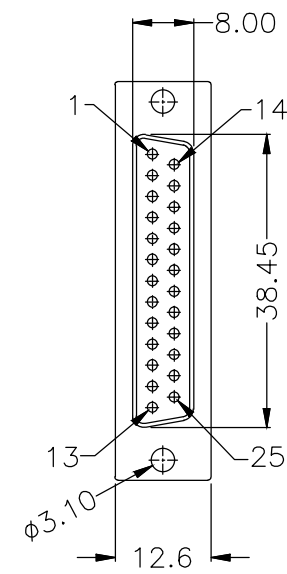
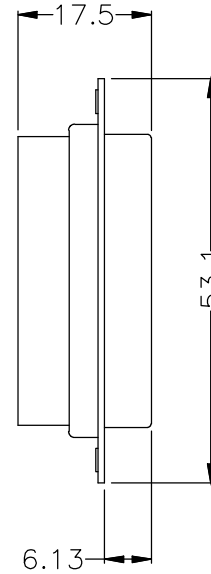
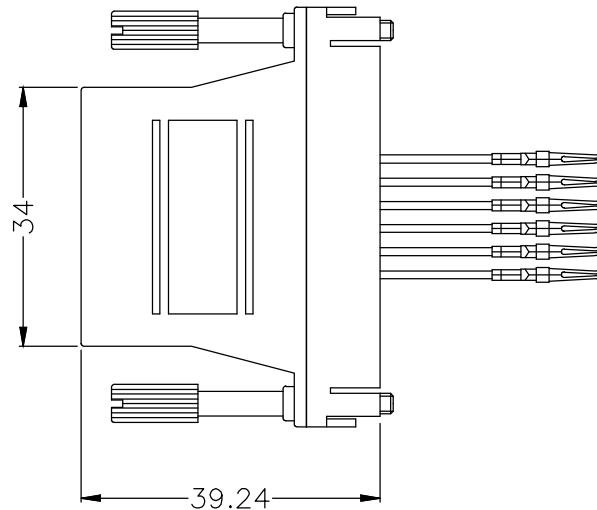
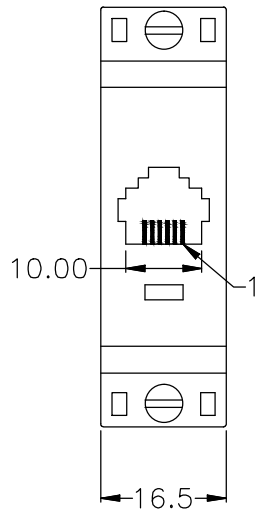


THIS IS A C.A.D. GENERATED DRAWING
DO NOT MAKE MANUAL REVISIONS TO MASTER.



* UNLESS OTHERWISE SPECIFIED TOLERANCES
ON DECIMAL IS: .X ±0.3
UNIT: MM .XX ±0.20
.XXX ±0.100

ISSUE NUMBER	
ORIGINAL	①
UPDATED DRAWING HALEY 2013/10/14	②
UPDATED FRAME Iven Ou 2023/03/21	③



Series
Number of positions
C=For RJ12 to D-SUB 25 female
Color: G=Plastic grey
Screw: L=Long screws
Option

PIN 1-Black	PIN 2-Yellow	PIN 3-Orange
PIN 4-Red	PIN 5-Green	PIN 6-Brown

NO.	DESCRIPTION	MATERIAL	FINISH	QTY
4	LEAD WIRE	UL1061	26AWG 7 STRAND	6
3	LONG SCREW	STEEL	#4-40 NICKEL PLATED	2
2	TERMINAL	COPPER	GOLD PLATED	6
1	HOOD	ABS	UL 94V-HB	1

Ordering information		Unshielded Version
Size	P/N-Kitted	Product Code
25-way	2112-0100-03	MHDA25-SMJ6-K-RC

THESE DRAWINGS AND SPECIFICATIONS ARE THE PROPERTY OF MH CONNECTORS AND SHALL NOT BE REPRODUCED, COPIED OR USED AS THE BASIS FOR THE MANUFACTURE OR SALE OF APPARATUS WITHOUT WRITTEN PERMISSION.

DRAWN HALEY	DATE 2013/10/14
APPROVED DAMIEN	DATE 2014/01/07

SCALE	SHEET OF 1 OF 1	REV: 3.0
-------	--------------------	-------------

DRAWING No
MHDA25-SMJ6-K-RC



THIS SERIES FULLY CONFORMS TO THE EUROPEAN UNION DIRECTIVES 2015/863/EU AND 2011/65/EU FOR RoHS COMPLIANCY.



MH CONNECTORS,
DIVISION OF EDAC