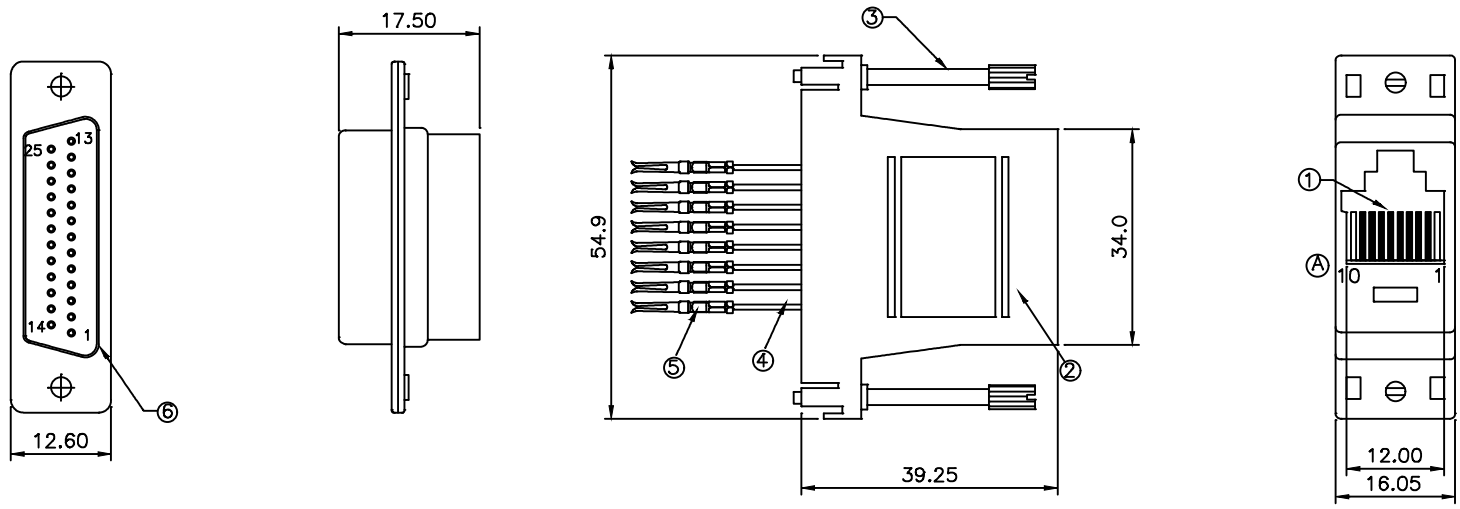


THIS IS A C.A.D. GENERATED DRAWING
DO NOT MAKE MANUAL REVISIONS TO MASTER.



* UNLESS OTHERWISE SPECIFIED TOLERANCES
ON DECIMAL IS: .X ±0.30
.XX ±0.20
UNIT: MM .XXX ±0.10

ISSUE NUMBER
ORIGINAL ①



A	8	7	6	5	4	3	2	1
Color	Blue	Grey	Brown	Green	Red	Orange	Yellow	Black

RoHS Compliant

No.	Name	Description	Q'ty
1	Conn	Modular Jack 10P8C Female,ABS,BLK,Gold Flash Contact	1
2	Hood	ABS,BLK	1
3	Screw	#4-40UNC Thumb Screw Nickel Plated	2
4	Wire	UL1061,26AWG,7 Strand Lead Wire	8
5	Terminal	P/N:DCFG-H,PH2.77 D-SUB Female Terminal,Copper Gold Plated	8
6	Conn	P/N:DC25ST-H,PH2.77 Crimp Wire D-SUB Female,25Pin,Black Insulator	1

THESE DRAWINGS AND SPECIFICATIONS ARE THE PROPERTY OF MH CONNECTORS AND SHALL NOT BE REPRODUCED, COPIED OR USED AS THE BASIS FOR THE MANUFACTURE OR SALE OF APPARATUS WITHOUT WRITTEN PERMISSION.

DRAWN Iven Ou DATE 2023/03/21
APPROVED DATE



THIS SERIES FULLY CONFORMS TO THE EUROPEAN UNION DIRECTIVES 2015/863/EU AND 2011/65/EU FOR RoHS COMPLIANCY.



MH CONNECTORS,
DIVISION OF EDAC

SCALE SHEET OF 1 OF 1 REV: 1.0
DRAWING No MHA25-SMJ8-K-RC