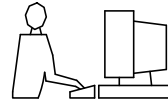


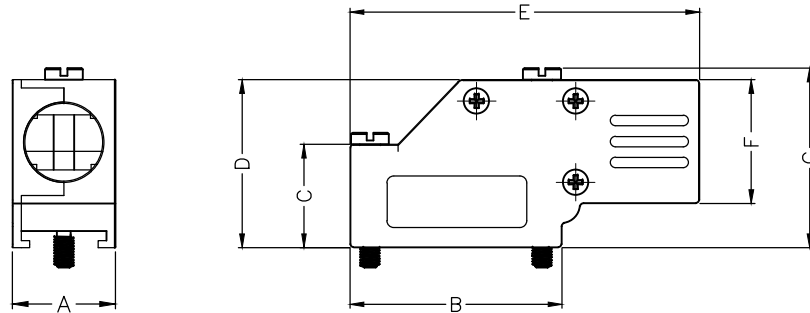
THIS IS A C.A.D. GENERATED DRAWING  
DO NOT MAKE MANUAL REVISIONS TO MASTER.



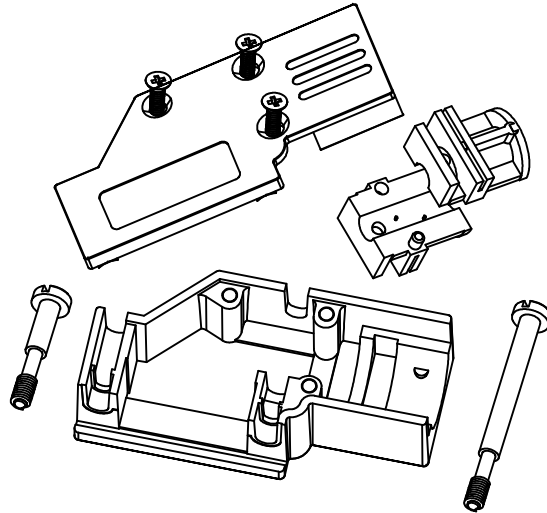
BACKSHELL KIT INCLUDES:

- (2) BACKSHELL HALVES
- (3) HOUSING SCREWS
- (1) 4-40 LONG THUMBSCREWS
- (1) 4-40 SHORT THUMBSCREWS
- (1) SET OF COMPRESSION INSERTS-VARIOUS SIZES  
DIAMETERS 4mm(.157"), 5mm(.167"), 7mm(.276"), 9mm(.354")

\* UNLESS OTHERWISE SPECIFIED TOLERANCES  
ON DECIMAL IS: ANGLE  $\pm 1^\circ$   
UNIT: MM .XX  $\pm 0.35$



DIMENSIONS(mm/in)							
SIZE	A $\pm 1.20$ $\pm 0.047$	B $\pm 1.20$ $\pm 0.047$	C $\pm 0.80$ $\pm 0.031$	D $\pm 0.80$ $\pm 0.031$	E $\pm 0.80$ $\pm 0.031$	F $\pm 0.80$ $\pm 0.031$	G $\pm 0.80$ $\pm 0.031$
9	15.0	30.8	15.0	24.4	50.8	18.0	26.2
	0.59	1.21	0.59	0.96	2.0	0.71	1.03
25	15.8	53.3	23.1	34.5	72.4	24.3	36.6
	0.62	2.10	0.91	1.36	2.85	0.96	1.44



ORDERING INFORMATION:

SIZE	P/N - KITTED	PRODUCT CODE
9-WAY	6560-0501-01	MHDCMR-09-RA-K
25-WAY	6560-0501-03	MHDCMR-25-RA-K

SIZE	P/N - KITTED	PRODUCT CODE
9-WAY	6561-0501-01	MHDCMR-09-RA
25-WAY	6561-0501-03	MHDCMR-25-RA

BACKSHELL: MATERIAL: DIE CAST ZINC ALLOY  
PLATING: NICKEL PLATED  
4-40 THUMBSCREWS: STEEL-Zn PLATED  
HOUSING SCREWS: STEEL-Zn PLATED  
COMPRESSION INSERT: ABS,UL RECOGNIZED  
OPERATING TEMP: -40°C TO+120°C

THESE DRAWINGS AND SPECIFICATIONS ARE THE PROPERTY OF MH CONNECTORS LTD. AND SHALL NOT BE REPRODUCED, COPIED OR USED AS THE BASIS FOR THE MANUFACTURE OR SALE OF APPARATUS WITHOUT WRITTEN PERMISSION.

DRAWN: JOHNNY  
DATE: 02-24-13

APPROVED: DAMIEN  
DATE: 03-10-14

SCALE: 1:1  
SHEET OF: 1 OF 1  
REV: 3.0

DRAWING No: MHDCMR-XX-RA-K

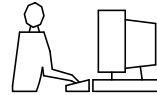


THIS SERIES FULLY CONFORMS TO THE EUROPEAN UNION DIRECTIVES 2002/95/EC AND 2002/96/EC FOR RoHS COMPLIANCY.



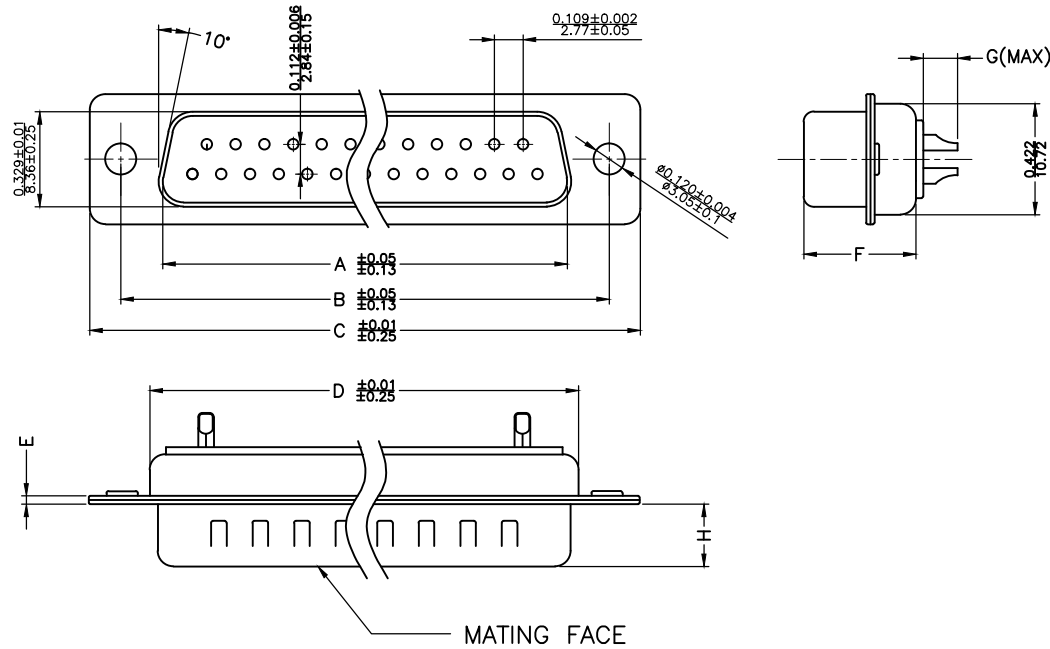
MH CONNECTORS LTD.

THIS IS A C.A.D. GENERATED DRAWING  
DO NOT MAKE MANUAL REVISIONS TO MASTER.



\* UNLESS OTHERWISE SPECIFIED TOLERANCES  
ON DECIMAL IS: .XX ± 0.35

UNIT: MM



Material & Finish  
Shell:  
Steel  
Nickel plated

Pin Contact:  
Brass  
Gold plated over nickel

Insulator:  
PBT glass-fiber reinforced UL 94-V0

Number of contact:  
9,15,25,37,50

Current rating: 5 amp

Dielectric strength:  
1000V for one minute

Insulator resistance:  
1000MΩ Min at 500V DC

Temperature: -55°C ~ 105°C

ITEM NO	A	B	C	D	E	F	G	H
MHDM9SP	16.92(0.666)	24.99(0.984)	30.81(1.213)	19.23(0.757)	1.0(0.0394)	10.8(0.425)	2.7(0.106)	5.84(0.23)
MHDM15SP	25.25(0.994)	33.32(1.312)	39.14(1.541)	27.56(1.085)	1.0(0.0394)	10.8(0.425)	2.7(0.106)	5.84(0.23)
MHDM25SP	38.96(1.534)	47.04(1.852)	53.04(2.088)	41.30(1.625)	1.0(0.0394)	10.8(0.425)	2.7(0.106)	5.84(0.23)
MHDM37SP	55.42(2.182)	63.50(2.500)	69.32(2.729)	57.71(2.272)	1.0(0.0394)	10.8(0.425)	2.7(0.106)	5.84(0.23)
MHDM50SP	52.86(2.081)	61.11(2.406)	66.92(2.634)	55.30(2.177)	1.0(0.0394)	10.8(0.425)	2.7(0.106)	5.84(0.23)

THESE DRAWINGS AND SPECIFICATIONS ARE THE PROPERTY OF MH CONNECTORS AND SHALL NOT BE REPRODUCED, COPIED OR USED AS THE BASIS FOR THE MANUFACTURE OR SALE OF APPARATUS WITHOUT WRITTEN PERMISSION.

DRAWN  
Iven Ou  
DATE  
09-01-22

APPROVED  
DATE

SCALE  
1 : 1  
SHEET OF  
1 OF 1  
REV:  
4.0

DRAWING No  
MHDM SP



THIS SERIES FULLY CONFORMS TO THE EUROPEAN UNION DIRECTIVES 2002/95/EC AND 2002/96/EC FOR RoHS COMPLIANCY.



MH CONNECTORS,  
DIVISION OF EDAC