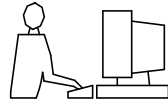


THIS IS A C.A.D. GENERATED DRAWING
DO NOT MAKE MANUAL REVISIONS TO MASTER.

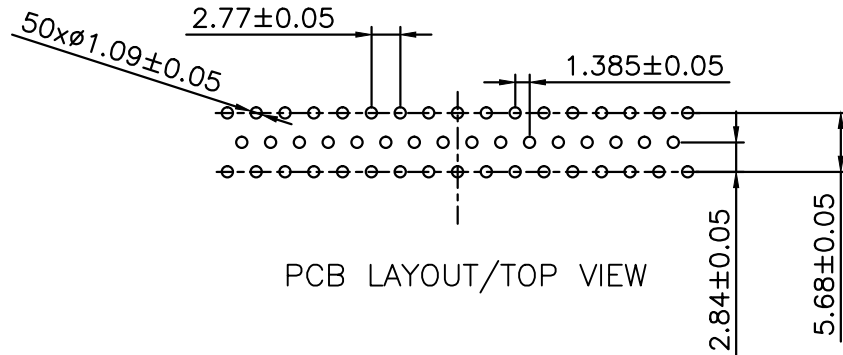
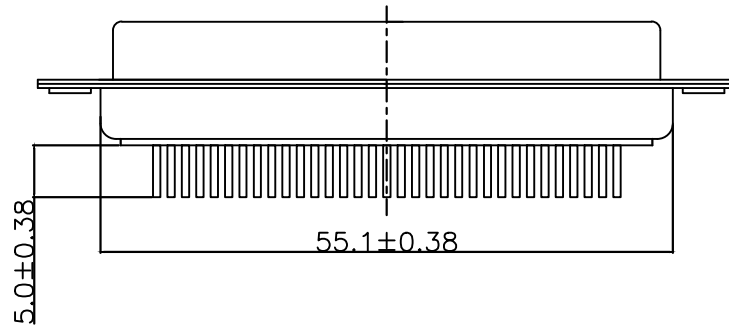
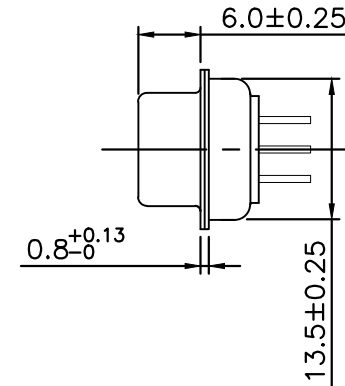
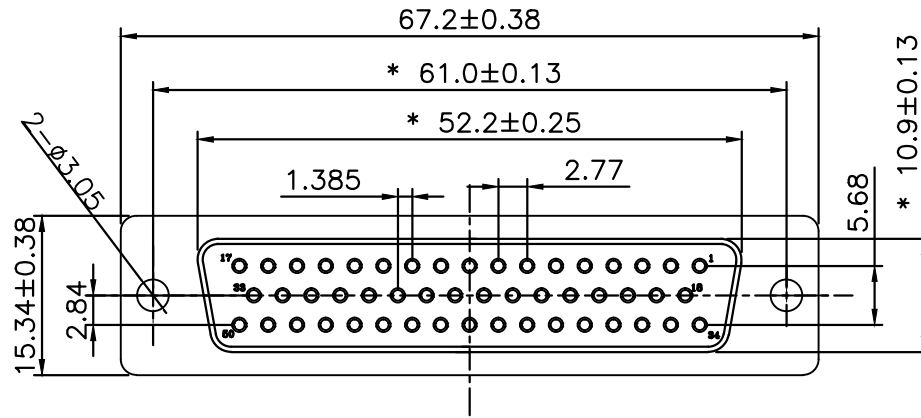


* UNLESS OTHERWISE SPECIFIED TOLERANCES
ON DECIMAL IS: XX ±0.38
XXX ±0.25
UNIT: MM XXXX ±0.13
X' ±5° XX' ±2°

ISSUE NUMBER

ORIGINAL

①



PCB LAYOUT/TOP VIEW

NOTES :

1. ELECTRIC:

- 1.1 DIELECTRIC RATING: 250V
- 1.2 CONTACT CURRENT RATING: 3AMP
- 1.3 CONTACT RESISTANCE: 20mΩ MAX.
- 1.4 INSULATION RESISTANCE: 1000MΩ MIN. at 500V DC
- 1.5 DIELECTRIC STRENGTH: 500V AC RMS for 1Minute
- 1.6 OPERATION TEMPERATURE: -20C° ~85C°

2. MATERIAL:

- 2.1 INSULATOR: PBT+30% G.F(UL94V-0)
- 2.2 CONTACT: COPPER ALLOY
- 2.3 CONTACT PLATED:GOLD FLASH / TIN
- 2.4 SHELL: SPCC
- 2.5 SHELL PLATED: NICKEL

THESE DRAWINGS AND SPECIFICATIONS ARE THE PROPERTY OF MH CONNECTORS AND SHALL NOT BE REPRODUCED, COPIED OR USED AS THE BASIS FOR THE MANUFACTURE OR SALE OF APPARATUS WITHOUT WRITTEN PERMISSION.

DRAWN Iven Ou	DATE 2023/03/10
------------------	--------------------

APPROVED	DATE
----------	------

SCALE 1 : 1	SHEET OF 1 OF 1	REV: 1.0
----------------	--------------------	-------------

DRAWING No MHDD50-F-N-B-S



THIS SERIES FULLY CONFORMS TO THE EUROPEAN UNION DIRECTIVES 2015/863/EU AND 2011/65/EU FOR RoHS COMPLIANCY.



MH CONNECTORS ,
DIVISION OF EDAC