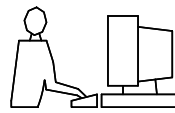
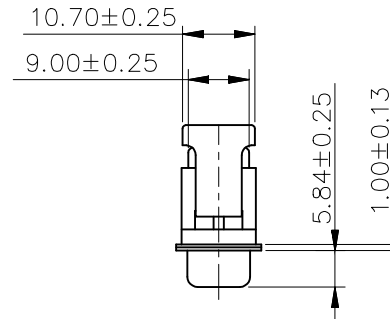
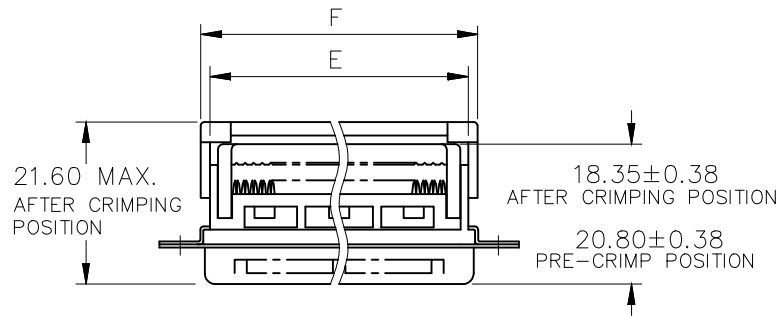


THIS IS A C.A.D. GENERATED DRAWING  
DO NOT MAKE MANUAL REVISIONS TO MASTER.

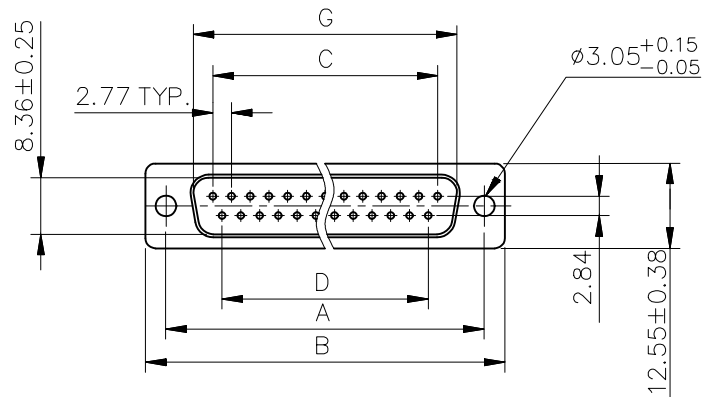


\* UNLESS OTHERWISE SPECIFIED TOLERANCES  
ON DECIMAL IS: ANGLE ± 1°  
UNIT: MM .XX ±0.25



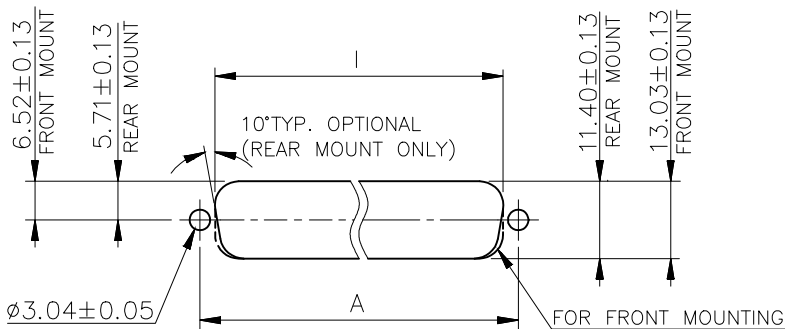
Order Codes:

Plug Connector		3.1mm Thru-Holes
09	2104-0201-31	MHDF2-09-SP-SM
15	2104-0201-32	MHDF2-15-SP-SM
25	2104-0201-33	MHDF2-25-SP-SM
37	2104-0201-34	MHDF2-37-SP-SM



**SPECIFICATION:**

- CURRENT RATING: 1 AMP.
- INSULATION RESISTANCE: 1000 MΩ MIN.(AT 500V DC)
- DIELECTRIC WITHSTANDING VOLTAGE: AC 500V MIN.(FOR 1 MINUTE)
- OPERATING TEMPERATURE : -55°C TO 105°C.
- CONTACT RESISTANCE: 15mΩ MAX.
- INSULATOR MATERIAL: PBT WITH GLASS-FIBER REINFORCED UL 94V-0.
- CONTACT MATERIAL: BRASS.
- CONTACT PLATING: GOLD OVER NICKEL.
- WIRE SIZE: AWG 26 & 28 STRANDED, 1.27mm CONDUCTOR CENTRE FLAT CABLE.



RECOMMENDED PANEL CUTOUT DIMENSIONS

Order Information	Dimensions(mm)									
	Part Number	Size	A±0.13	B±0.25	C±0.13	D±0.13	E±0.25	F±0.25	G±0.25	I±0.13 REAR MOUNTING
MHDF2-09-SP-SM	09	24.99	30.80	11.08	8.31	16.10	18.60	16.92	20.47	22.20
MHDF2-15-SP-SM	15	33.32	39.10	19.39	16.62	24.00	26.60	25.25	28.80	30.53
MHDF2-25-SP-SM	25	47.04	53.09	33.24	30.47	38.14	40.90	38.96	42.52	44.27
MHDF2-37-SP-SM	37	63.50	69.40	49.86	47.09	54.60	57.10	55.45	59.08	60.73

THESE DRAWINGS AND SPECIFICATIONS ARE THE PROPERTY OF MH CONNECTORS LTD. AND SHALL NOT BE REPRODUCED, COPIED OR USED AS THE BASIS FOR THE MANUFACTURE OR SALE OF APPARATUS WITHOUT WRITTEN PERMISSION.

DRAWN HALEY		DATE 09-24-13	
APPROVED DAMIEN		DATE 09-26-13	
SCALE	SHEET OF 1 OF 1	REV: 3.0	
DRAWING No MHDF2-XX-SP-SM			



THIS SERIES FULLY CONFORMS TO THE EUROPEAN UNION DIRECTIVES 2002/95/EC AND 2002/96/EC FOR RoHS COMPLIANCY.



**MH CONNECTORS LTD.**