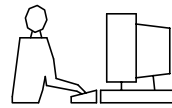
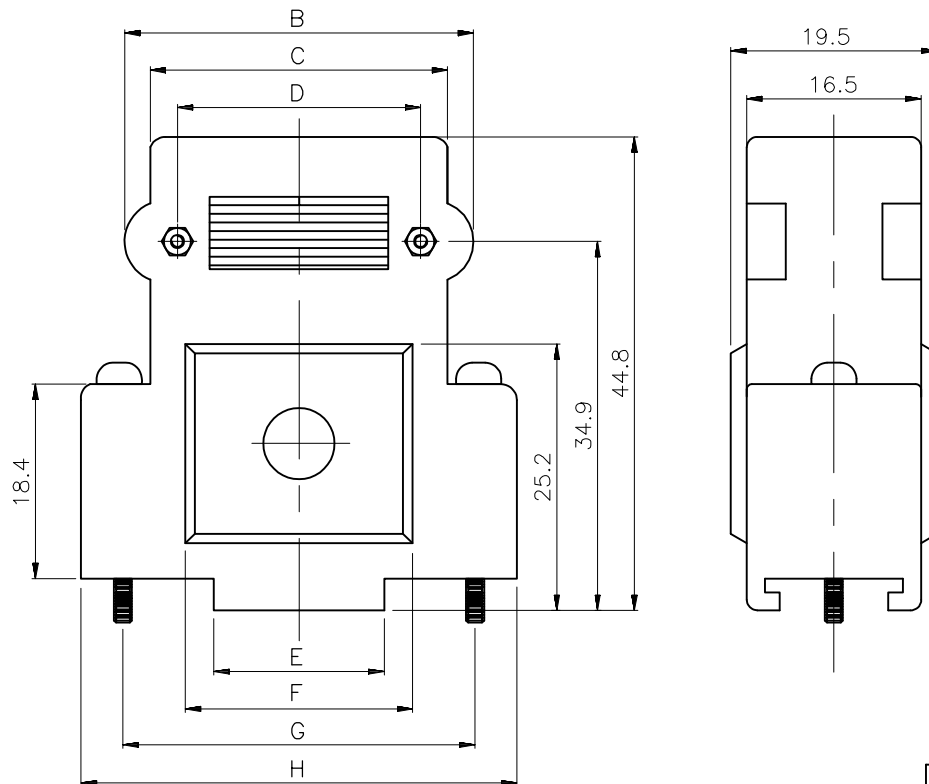
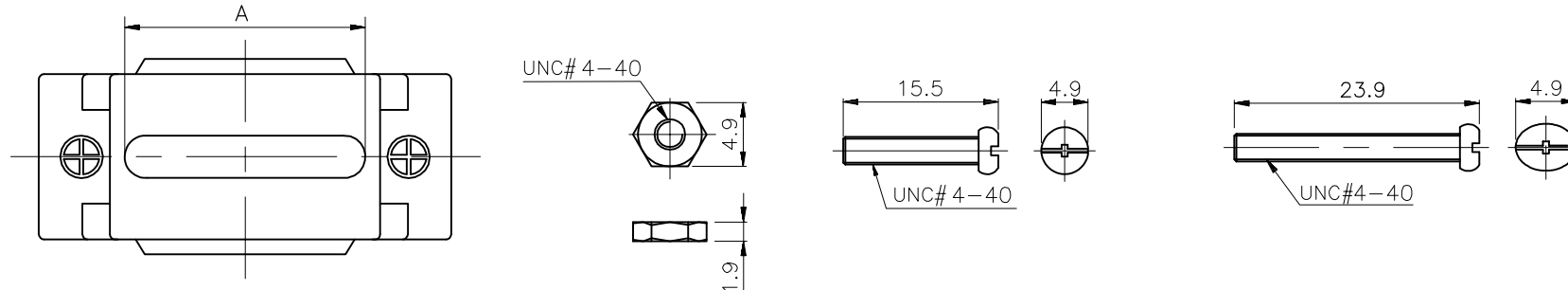


THIS IS A C.A.D. GENERATED DRAWING  
DO NOT MAKE MANUAL REVISIONS TO MASTER.



\* UNLESS OTHERWISE SPECIFIED TOLERANCES  
ON DECIMAL IS: ANGLE  $\pm 5^\circ$   
UNIT: MM X.  $\pm 0.5$   
X.X  $\pm 0.3$   
X.X  $\pm 0.2$



**1: MATERIAL:**

**1.1: INSULATOR: ABS GREY UL94HB**

**1.2: SCREW: STEEL**

**1.3: FINISHED: CHROMATE PLATED**

Ordering information:

Size	Part Number	Product Code
9-way	1520-0101-01	MHDFCK09-P
15-way	1520-0101-02	MHDFCK15-P
25-way	1520-0101-03	MHDFCK25-P
37-way	1520-0101-04	MHDFCK37-P

Dimensions(mm)								
Size	A $\pm 0.3$	B $\pm 0.3$	C $\pm 0.3$	D $\pm 0.3$	E $\pm 0.3$	F $\pm 0.3$	G $\pm 0.3$	H $\pm 0.3$
9	9.7	24.0	19.3	16.2	12.1	14.2	25.0	33.5
15	21.6	33.0	28.1	23.0	16.1	21.5	33.3	41.0
25	34.3	46.2	41.5	35.8	29.9	35.1	47.1	54.5
37	51.0	63.0	58.0	53.0	46.0	51.1	63.5	71.3

THESE DRAWINGS AND SPECIFICATIONS ARE THE PROPERTY OF MH CONNECTORS AND SHALL NOT BE REPRODUCED, COPIED OR USED AS THE BASIS FOR THE MANUFACTURE OR SALE OF APPARATUS WITHOUT WRITTEN PERMISSION.

DRAWN Haley Hu	DATE 05-09-15
APPROVED	DATE



THIS SERIES FULLY CONFORMS TO THE EUROPEAN UNION DIRECTIVES 2002/95/EC AND 2002/96/EC FOR RoHS COMPLIANCY.



**MH CONNECTORS ,  
DIVISION OF EDAC**

SCALE NTS	SHEET OF 1 OF 1	REV: 2.0
DRAWING No MHDFCKXX-P		