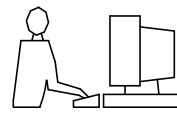


THIS IS A C.A.D. GENERATED DRAWING
DO NOT MAKE MANUAL REVISIONS TO MASTER.

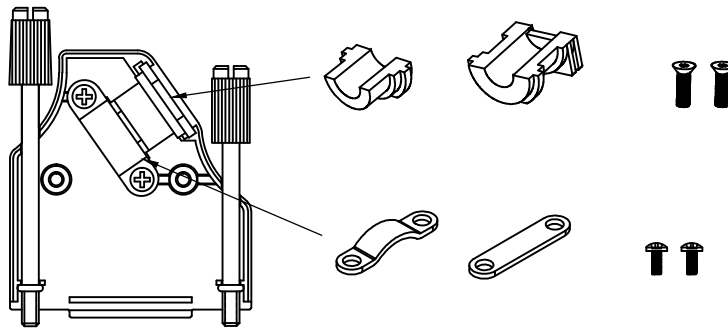
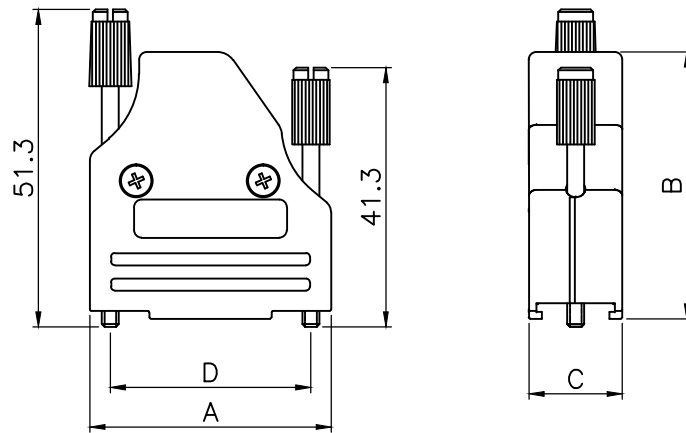


* UNLESS OTHERWISE SPECIFIED TOLERANCES
ON DECIMAL IS: ANGLE $\pm 1^\circ$
UNIT: MM .X ± 0.5

BACKSHELL KIT INCLUDES:

- (2)BACKSHELL HALVES
- (1)GROMMET
- (2)JACKSCREWS
- (2)SHELLSCREWS
- (2)CLAMPSCREWS
- (1)METAL CLAMP
- (1)METAL CLAMP FLAT

NOTE: 9 POSITION HAS ONLY 1 JACKSCREW



BACKSHELL MATERIAL:	DIE CAST ZINC ALLOY
PLATING:	NICKEL PLATED
GROMMET:	THERMOPLASTIC ABS
COLOR:	NATURAL NICKEL PLATED
SHELLSCREWS:	STEEL, ZINC PLATED
JACKSCREWS:	STEEL, ZINC PLATED WITH PLASTIC KNOB
CLAMPSCREWS:	STEEL, ZINC PLATED
CLAMP:	STEEL, SHEET, NICKEL PLATED
OPERATING TEMP:	-40°C TO +120°C

DIMENSIONS(mm/in)				
SIZE	A ± 0.50 ± 0.020	B ± 1.6 ± 0.063	C ± 1.6 ± 0.063	D ± 0.50 ± 0.020
9	32.0	43.0	15.5	-
	1.260	1.693	0.610	-
15	40.4	43.0	15.5	33.32
	1.591	1.693	0.610	1.312
25	54.0	48.0	15.5	47.04
	2.126	1.890	0.610	1.852
37	70.5	53.0	15.5	63.50
	2.776	2.087	0.610	2.500

ORDERING INFORMATION:

SIZE	P/N - KITTED	PRODUCT CODE
9-WAY	6560-0139-11	MHDM35-9-K
15-WAY	6560-0139-12	MHDM35-15-K
25-WAY	6560-0139-13	MHDM35-25-K
37-WAY	6560-0139-14	MHDM35-37-K

THESE DRAWINGS AND SPECIFICATIONS ARE THE PROPERTY OF MH CONNECTORS LTD. AND SHALL NOT BE REPRODUCED, COPIED OR USED AS THE BASIS FOR THE MANUFACTURE OR SALE OF APPARATUS WITHOUT WRITTEN PERMISSION.			DRAWN JOHNNY		DATE 11-09-15
			APPROVED VICTOR		DATE 11-09-15
SCALE		SHEET OF 1 OF 1	REV: 5.0		
DRAWING No MHDM35-XX-K					



THIS SERIES FULLY CONFORMS TO THE EUROPEAN UNION DIRECTIVES 2002/95/EC AND 2002/96/EC FOR RoHS COMPLIANCY.



MH CONNECTORS LTD.