

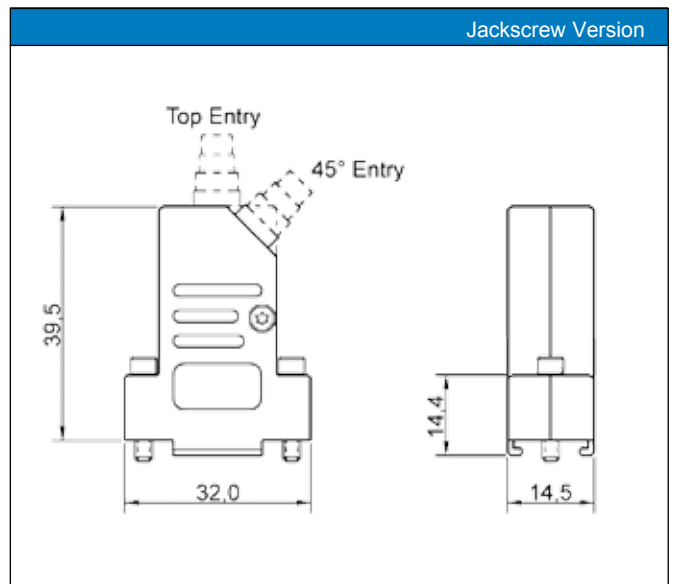
TECHNICAL SPECIFICATIONS

Material: Zinc, Nickel Plated
Operating Temperature: -40°C to +120°C
Cable Entry: Top or Side Entry
Jackscrews: UNC 4-40 (Standard)
M2,5 or M3 on request
Cable O.D.: Up to 11,5mm
Accessories: See page 186-190
Assembly Instruction: See page 204



Features:

- Jackscrew Version
- Available in size 9 only
- Excellent EMI Shielding
- Re-openable



Ordering information:

MHDTSL-JSFR

Size:	P/N - Kitted:	Product Code:
9-way-TOP	6560-0237-31	MHDTSL09-JSFR-T-K
9-way-SIDE	6560-0238-31	MHDTSL09-JSFR-S-K

Size:	P/N - BULK:	Product Code:
9-way-TOP	6561-0237-31	MHDTSL09-JSFR-T
9-way-SIDE	6561-0238-31	MHDTSL09-JSFR-S

MHDTSL-JS

Size:	P/N - Kitted:	Product Code:
9-way-TOP	6560-0207-31	MHDTSL09-JS-T-K
9-way-SIDE	6560-0208-31	MHDTSL09-JS-S-K

Size:	P/N - BULK:	Product Code:
9-way-TOP	6561-0207-31	MHDTSL09-JS-T
9-way-SIDE	6561-0208-31	MHDTSL09-JS-S