

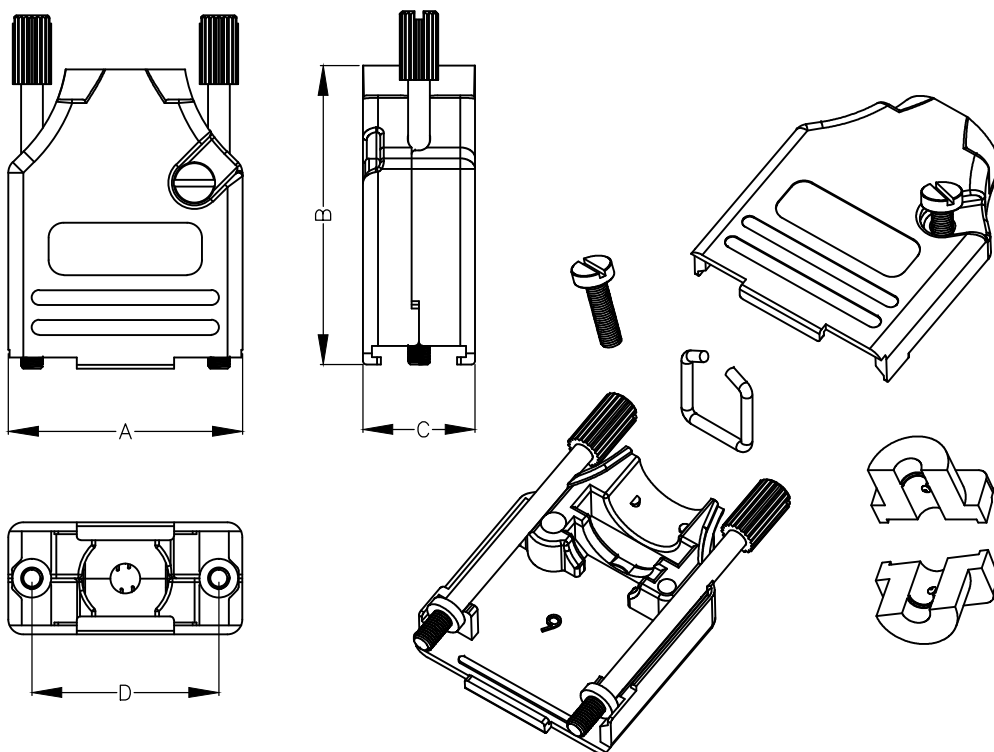
THIS IS A C.A.D. GENERATED DRAWING
DO NOT MAKE MANUAL REVISIONS TO MASTER.



* UNLESS OTHERWISE SPECIFIED TOLERANCES
ON DECIMAL IS: ANGLE ±5°
UNIT: MM X. ±0.38
X.X ±0.25

BACKSHELL KIT INCLUDES:

- (2) BACKSHELL HALVES
- (2) 4-40 THUMBSCREWS
- (2) HOUSING SCREWS
- (1) SET OF COMPRESSION INSERTS - VARIOUS SIZES
DIAMETERS 4mm (.157"), 5mm (.197"), 7mm (.276"), 9mm (.354")
- (1) COMPRESSION SPRING



BACKSHELL MATERIAL: DIE-CAST ZINC ALLOY
PLATING: CLEAR CHROMATE FOLLOWED BY BLACK ENAMEL
JACKSCREWS: STEEL - BLACK OXIDE FINISH
M3 HOODSCREWS: STEEL - BLACK OXIDE FINISH
COMPRESSION INSERT: ABS UL RECOGNIZED
COMPRESSION SPRING: STEEL, NICKEL PLATED
OPERATING TEMP: -40°C TO +120°C

DIMENSIONS(mm/in)				
SIZE	A $\pm_{0.02}^{.50}$	B $\pm_{0.02}^{.50}$	C $\pm_{0.02}^{.50}$	D $\pm_{0.01}^{.25}$
9	31.20	39.90	15.00	24.99
	1.228	1.571	0.591	0.984
15	39.50	41.50	15.00	33.32
	1.555	1.634	0.591	1.312
25	53.40	48.60	15.00	47.04
	2.102	1.913	0.591	1.852
37	69.70	53.60	15.00	63.50
	2.744	2.110	0.591	2.500

ORDERING INFORMATON:

SIZE	P/N - KITTED	PRODUCT CODE:
9-WAY	6560-0815-01	MHDTZK-9-BK-K
15-WAY	6560-0815-02	MHDTZK-15-BK-K
25-WAY	6560-0815-03	MHDTZK-25-BK-K
37-WAY	6560-0815-04	MHDTZK-37-BK-K

SIZE	P/N - BULK	PRODUCT CODE:
9-WAY	6561-0815-01	MHDTZK-9-BK
15-WAY	6561-0815-02	MHDTZK-15-BK
25-WAY	6561-0815-03	MHDTZK-25-BK
37-WAY	6561-0815-04	MHDTZK-37-BK

THESE DRAWINGS AND SPECIFICATIONS ARE THE PROPERTY OF MH CONNECTORS AND SHALL NOT BE REPRODUCED, COPIED OR USED AS THE BASIS FOR THE MANUFACTURE OR SALE OF APPARATUS WITHOUT WRITTEN PERMISSION.	DRAWN Johnny Chen	DATE 07-21-15
	APPROVED DAMIEN	DATE 07-22-15
SCALE 1 : 1	SHEET OF 1 OF 1	REV: 4.0
DRAWING No MHDTZK-BK SERIES		



THIS SERIES FULLY CONFORMS TO THE EUROPEAN UNION DIRECTIVES 2002/95/EC AND 2002/96/EC FOR RoHS COMPLIANCY.



**MH CONNECTORS ,
DIVISION OF EDAC**