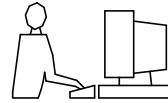


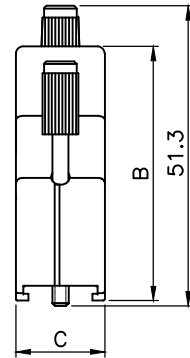
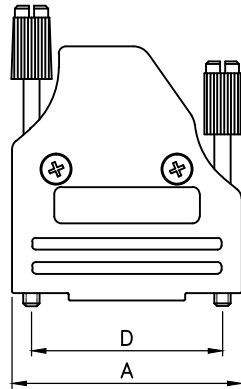
THIS IS A C.A.D. GENERATED DRAWING  
DO NOT MAKE MANUAL REVISIONS TO MASTER.



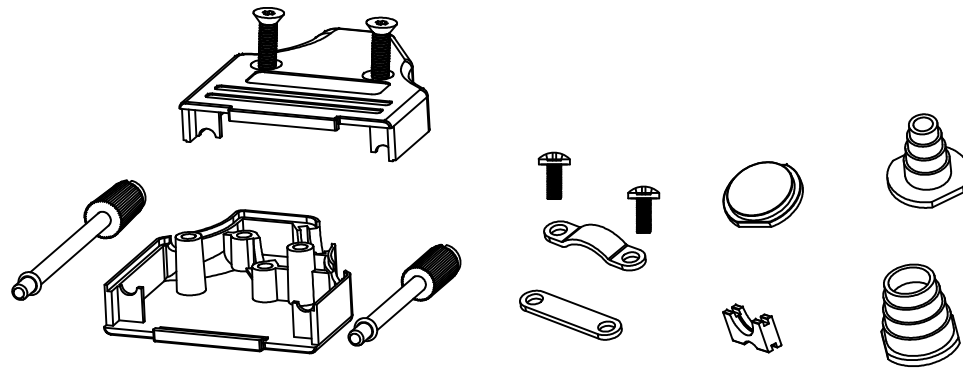
\* UNLESS OTHERWISE SPECIFIED TOLERANCES  
ON DECIMAL IS: ANGLE  $\pm 1^\circ$   
UNIT: MM .X  $\pm 0.5$

**BACKSHELL KIT INCLUDES:**

- (2)BACKSHELL HALVES
- (2)STRAIN RELIEF CLAMPS
- (2)STRAIN RELIEF SCREWS
- (2)MOUNTING SCREWS
- (2)THUMBSCREWS
- (1)GORMMET



DIMENSIONS(mm/in)				
SIZE	A $\pm 0.20$	B $\pm 0.83$	C $\pm 0.83$	D $\pm 0.20$
9	32.0	43.0	15.5	—
	1.260	1.693	0.610	—
15	40.4	43.0	15.5	33.32
	1.591	1.693	0.610	1.312
25	54.0	48.0	15.5	47.04
	2.126	1.890	0.610	1.852
37	70.5	53.0	15.5	63.50
	2.776	2.087	0.610	2.500



**ORDERING INFORMATION:**

SIZE	P/N - KITTED	PRODUCT CODE
9-WAY	6560-0140-11	MHEE35-9-K
15-WAY	6560-0140-12	MHEE35-15-K
25-WAY	6560-0140-13	MHEE35-25-K
37-WAY	6560-0140-14	MHEE35-37-K

BACKSHELL MATERIAL:  
PLATING:  
COMPRESSION INSERT:  
4-40 THUMBSCREWS:  
HOUSING SCREWS:  
STRAIN RELIEF CLAMP:  
STRAIN RELIEF SCREWS:  
OPERATING TEMP:

DIE CAST ZINC ALLOY  
NICKEL PLATED  
ABS-UL RECOGNIZED  
STEEL-Zn PLATED  
STEEL-Zn PLATED  
STEEL-NICKEL PLATED  
STEEL-Zn PLATED  
-40°C TO +120°C

THESE DRAWINGS AND SPECIFICATIONS ARE THE PROPERTY OF MH CONNECTORS LTD. AND SHALL NOT BE REPRODUCED, COPIED OR USED AS THE BASIS FOR THE MANUFACTURE OR SALE OF APPARATUS WITHOUT WRITTEN PERMISSION.

DRAWN HALEY	DATE 01-11-14
APPROVED	DATE

SCALE 1 : 1	SHEET OF 1 OF 1	REV: 3.0
----------------	--------------------	-------------

DRAWING No  
MHEE35-XX-K



THIS SERIES FULLY CONFORMS TO THE EUROPEAN UNION DIRECTIVES 2002/95/EC AND 2002/96/EC FOR RoHS COMPLIANCY.



**MH CONNECTORS LTD.**