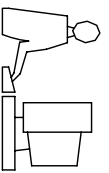
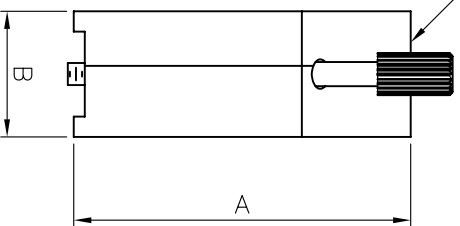
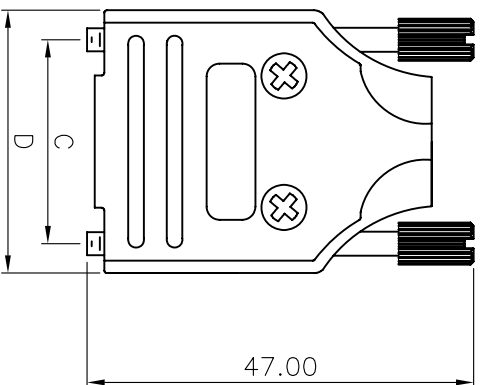


THIS IS A C.A.D. GENERATED DRAWING
DO NOT MAKE MANUAL REVISIONS TO MASTER.



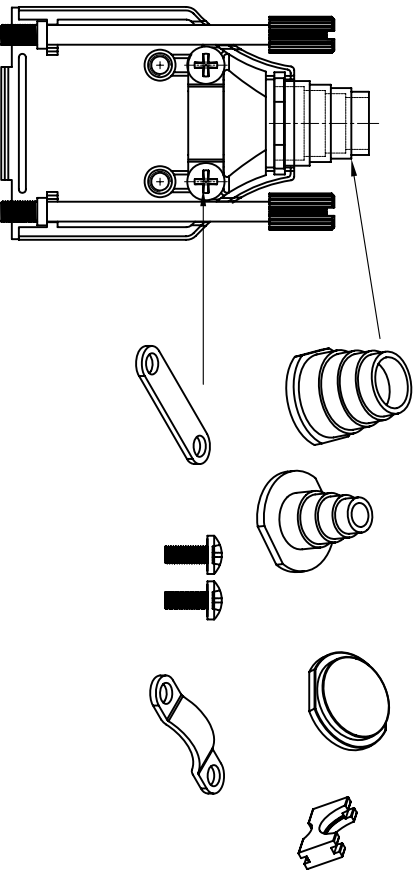
BACKSHELL KIT INCLUDES:
(2)BACKSHELL HALVES
(2)STRAIN RELIEF CLAMPS
(2)STRAIN RELIEF SCREWS
(2)MOUNTING SCREWS
(2)THUMBSCREWS
(1)GORMMET



SIZE	DIMENSIONS(mm/in)				
	A ± 0.12	B ± 0.20	C ± 0.25	D ± 0.20	E
9	41.3	15.4	24.99	32.2	13.0
	1.626	0.606	0.984	1.268	0.512
15	43.3	15.4	33.32	40.6	13.0
	1.705	0.606	1.312	1.598	0.512
25	49.5	15.4	47.04	54.5	13.0
	1.949	0.606	1.852	2.146	0.512
37	54.3	15.4	63.50	70.7	13.0
	2.138	0.606	2.500	2.783	0.512

ORDERING INFORMATION:

SIZE	P/N - KITTED	PRODUCT CODE
9-WAY	6560-0137-01	MHEE-9-K
15-WAY	6560-0137-02	MHEE-15-K
25-WAY	6560-0137-03	MHEE-25-K
37-WAY	6560-0137-04	MHEE-37-K



BACKSHELL MATERIAL:
PLATING:
COMPRESSION INSERT:
4-40 THUMBSCREWS:
HOUSING SCREWS:
STRAIN RELIEF CLAMP:
STRAIN RELIEF SCREWS:
OPERATING TEMP:

DIE CAST ZINC
NICKEL PLATED
ABS-UL RECOGNIZED
STEEL-Zn PLATED
STEEL-Zn PLATED
STEEL-NICKEL PLATED
STEEL-Zn PLATED
-40°C To+120°C

THESE DRAWINGS AND SPECIFICATIONS ARE THE PROPERTY OF MH CONNECTORS LTD. AND SHALL NOT BE REPRODUCED, COPIED OR USED AS THE BASIS FOR THE MANUFACTURE OR SALE OF APPARATUS WITHOUT WRITTEN PERMISSION.

DRAWN

Johnny

DATE

12-27-12

APPROVED

DATE

SCALE

1:1

SHEET

1

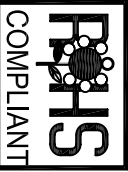
OF

1

REV:

1.0

THIS SERIES FULLY CONFORMS TO THE
EUROPEAN UNION DIRECTIVES 2002/95/EC
AND 2002/96/EC FOR ROHS COMPLIANCY.



MH CONNECTORS LTD.

DRAWING No
MHEEX-K

* UNLESS OTHERWISE SPECIFIED TOLERANCES
ON DECIMAL IS: ANGLE $\pm 1^\circ$
UNIT: MM .XX ± 0.35