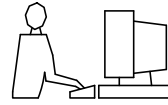
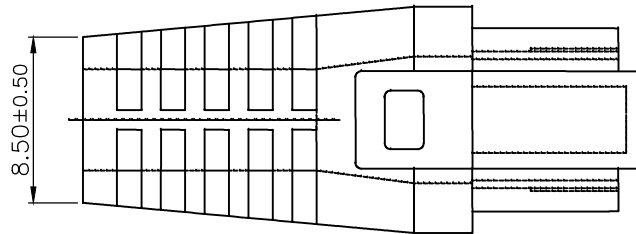
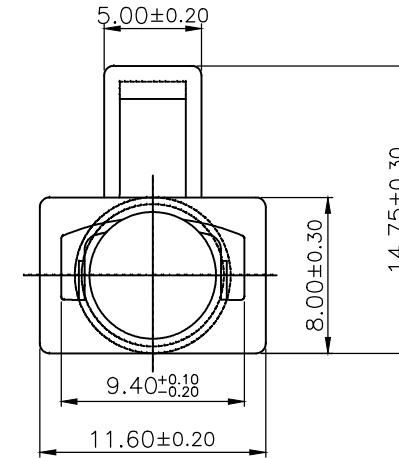
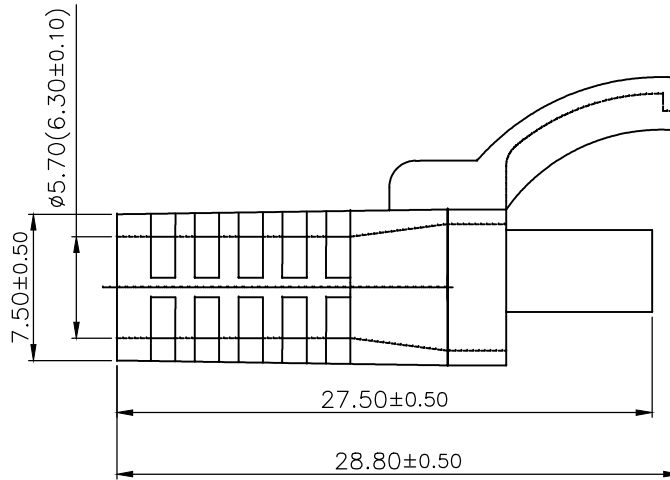


THIS IS A C.A.D. GENERATED DRAWING
DO NOT MAKE MANUAL REVISIONS TO MASTER.



* UNLESS OTHERWISE SPECIFIED TOLERANCES
ON DECIMAL IS: ANGLE $\pm 1^\circ$
UNIT: MM



ORDERING INFORMATON:

COLOUR	P/N - BULK	PRODUCT CODE
Light Grey	6510-0109-01	MHRJ45SRI-LG
Dark Grey	6510-0109-02	MHRJ45SRI-DG
Blue	6510-0109-03	MHRJ45SRI-B
Yellow	6510-0109-04	MHRJ45SRI-Y
Green	6510-0109-05	MHRJ45SRI-G
Blank	6510-0109-06	MHRJ45SRI-BK
Red	6510-0109-10	MHRJ45SRI-R

NOTE:

1.Material: ABS+PVC

THESE DRAWINGS AND SPECIFICATIONS ARE THE PROPERTY OF MH CONNECTORS LTD. AND SHALL NOT BE REPRODUCED, COPIED OR USED AS THE BASIS FOR THE MANUFACTURE OR SALE OF APPARATUS WITHOUT WRITTEN PERMISSION.

DRAWN	DATE
JOHNNY	03-12-13

APPROVED	DATE
DAMIEN	03-13-13

SCALE	SHEET OF	REV:
1:1	1 OF 1	3.0

DRAWING No
MHRJ45SRI-XX



THIS SERIES FULLY CONFORMS TO THE EUROPEAN UNION DIRECTIVES 2002/95/EC AND 2002/96/EC FOR RoHS COMPLIANCY.



MH CONNECTORS LTD.