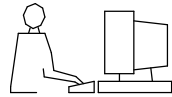
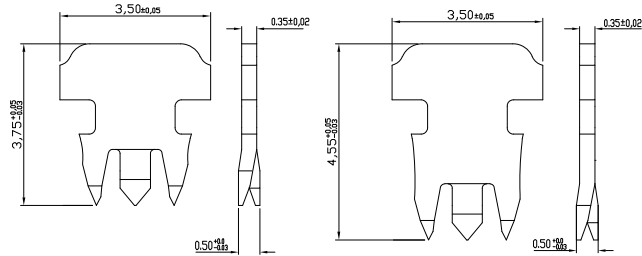


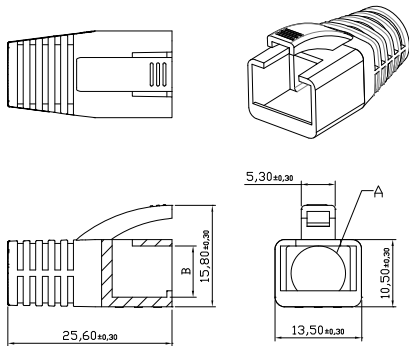
THIS IS A C.A.D. GENERATED DRAWING
DO NOT MAKE MANUAL REVISIONS TO MASTER.



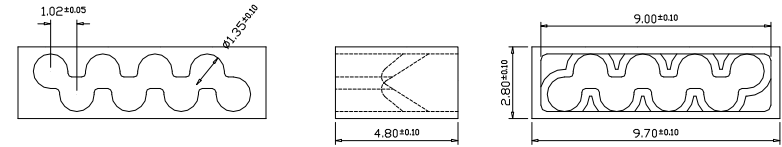
CONTACT TYPE
3 PRONGS FOR SOLID WIRE



BOOT



A Dim m/m	B Dim m/m
5.5±0.10	8.0±0.10
6.0±0.10	8.0±0.10
6.5±0.10	8.0±0.10
7.0±0.10	8.0±0.10
7.5±0.10	8.0±0.10
8.0±0.10	8.0±0.10
8.5±0.10	8.0±0.10



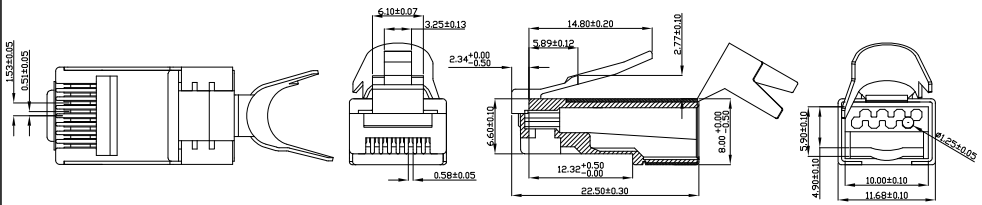
LOAD BAR 1.25mm

MHRJ C6A R 3

#	Type	Recommended Cable OD (limited by connector)	#	Boot Color
1	Conn plug only	4.5-6.3mm	N	No Boot Included
2		5.9-8.5mm	1	Black
3	Conn Plug + Boot kit	Up to 6.0mm	2	Blue
4		Up to 6.5mm	3	Dark Grey
5		Up to 7.0mm	4	Green
6		Up to 7.5mm	5	Light Grey
7		Up to 8.0mm	6	Purple
8		Up to 8.5mm	7	Red
			8	Yellow
			9	White

NOTES:
ELECTRICAL:
1. Voltage Rating: 250V AC max
2. Current Rating: 2A
3. Contact Resistance: 20mΩ max
4. Insulation Resistance: 500MΩ min
5. Dielectric Withstanding Voltage: 1000 VDC/min, < 0.5A
MECHANICAL:
1. Housing Material: Polycarbonate (PC), UL94V-2, Color - Clear
2. Shielding Material: Brass with Nickel Plating
3. Contact: Material: Phosphor Bronze
Plating: Gold 50µ" (≥1.27µm) over Nickel 50µ" (≥1.27µm)
4. Load Bar Material: 1.25mm: ABS PA-785R, UL94 HB
5. Wire: 23-26 AWG
6. Mating Cycles: 2000
7. Boot Material: PVC
ENVIRONMENTAL:
1. Operating Temperature: -40°C to +125°C

REACH & FCC compliant



w/cable clamp & w/shield
MHRJ C6A R 3 X2X

THESE DRAWINGS AND SPECIFICATIONS ARE THE PROPERTY OF MH CONNECTORS AND SHALL NOT BE REPRODUCED, COPIED OR USED AS THE BASIS FOR THE MANUFACTURE OR SALE OF APPARATUS WITHOUT WRITTEN PERMISSION.

DRAWN	E.P.	DATE	14-03-24
APPROVED	C.R.	DATE	14-03-24
SCALE	SHEET OF	REV:	1
	1 OF 1		
DRAWING No		MHRJC6AR3XXX	



THIS SERIES FULLY CONFORMS TO THE EUROPEAN UNION DIRECTIVES 2015/863/EU AND 2011/65/EU FOR RoHS COMPLIANCY.



MH 8P8C RJ45 Cat6A
MOD PLUG