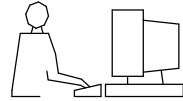


THIS IS C.A.D GENERATED DRAWING
DO NOT MAKE MANUAL REVISIONS TO MASTER.



UNLESS OTHERWISE SPECIFIED TOLERANCES
ON DECIMAL IS: ANGLE
UNIT: MM X.X 0.25
X.XX 0.13
X.XXX 0.05

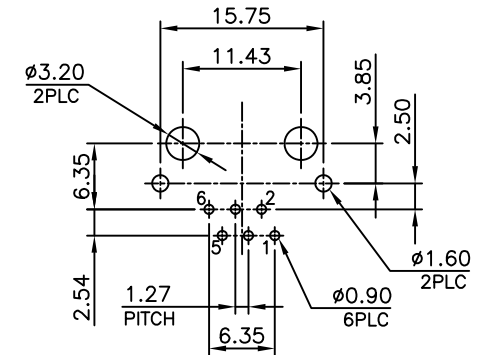
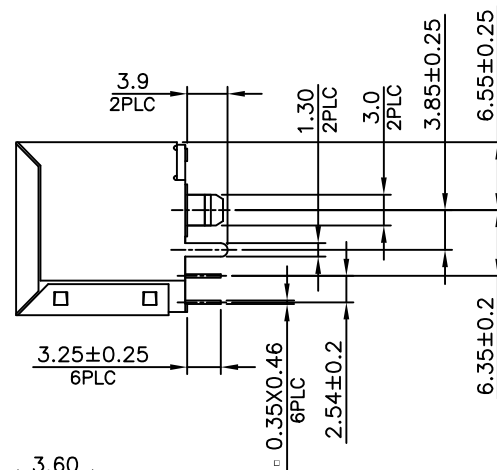
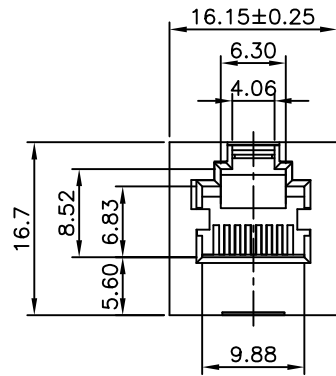
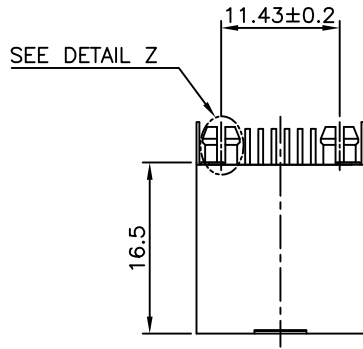
NOTE:
CAVITY CONFIRMS TO FCC RULES AND REGULATIONS PART 68, SUBPART F.

1. MATERIAL:

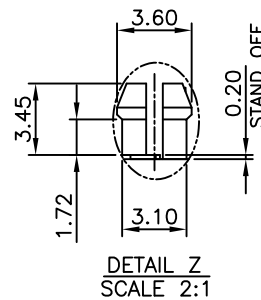
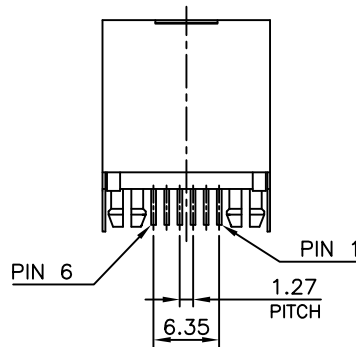
- 1.1. HOUSING: PBT, WITH GLASS FIBER, UL94V-0, STANDARD COLOR-BLACK
- 1.2. INSERT HOUSING: PA46, WITH GLASS FIBER, UL94V-0, STANDARD COLOR-BLACK
- 1.3. CONTACTS: PHOSPHOR BRONZE.
- 1.4. SHELL: BRASS.

2. FINISH:

- 2.1. CONTACTS: 0.152 μm [6μ"] GOLD PLATED ON CONTACT AREA, GOLD FLASH ON SOLDER TAIL, 1.27μm [50μ"] MIN. NICKEL UNDERPLATED OVERALL.
- 2.2. SHELL: 0.508μm [20μ"] MIN. NICKEL PLATED.



RECOMMENDED PCB LAYOUT
PCB THICKNESS: 1.6mm
TOLERANCE: ±0.05mm (TOP VIEW)



THESE DRAWINGS AND SPECIFICATIONS ARE THE PROPERTY OF MH CONNECTORS AND SHALL NOT BE REPRODUCED, COPIED OR USED AS THE BASIS FOR THE MANUFACTURE OR SALE OF APPARATUS WITHOUT WRITTEN PERMISSION.

DRAWN	E.P.	DATE
		23-10-23

APPROVED	S.R.	DATE
		23-10-23

SCALE	SHEET OF	REV:
NA	1 OF 1	1

DRAWING No	MHRJJ66NFVS
------------	-------------



THIS SERIES FULLY CONFORMS TO THE EUROPEAN UNION DIRECTIVES 2015/863/EU AND 2011/65/EU FOR RoHS COMPLIANCY.



MH CONNECTORS,
DIVISION OF EDAC