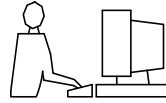
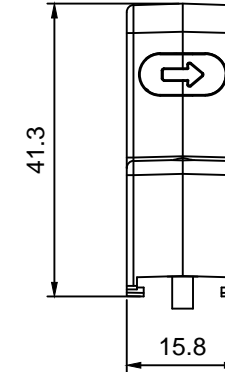
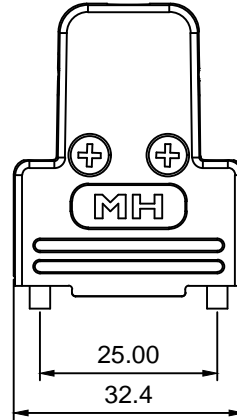
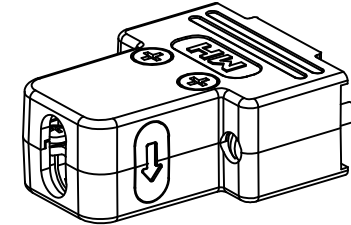
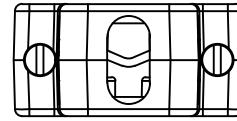
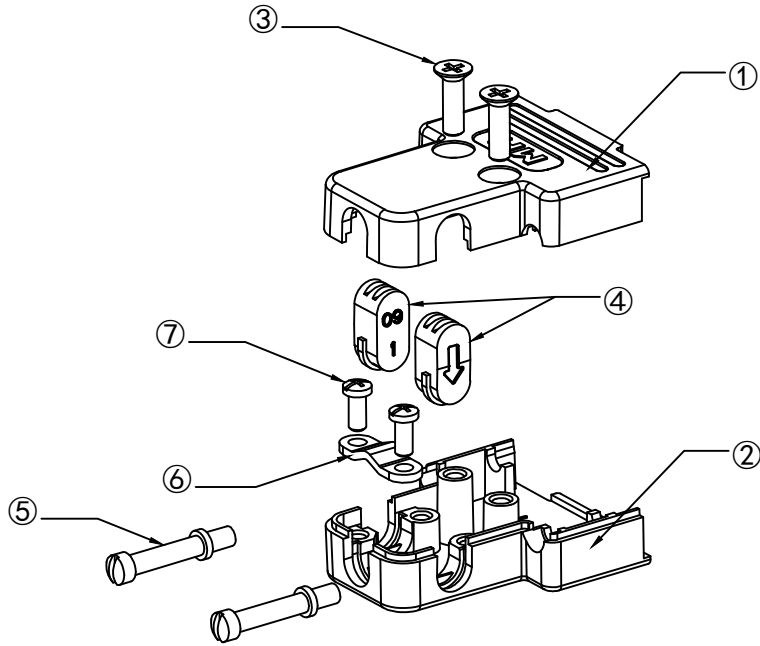


THIS IS A C.A.D. GENERATED DRAWING
DO NOT MAKE MANUAL REVISIONS TO MASTER.



* UNLESS OTHERWISE SPECIFIED TOLERANCES
ON DECIMAL IS: ANGLE
UNIT: MM X.X ±1.00
X.XX ±0.38

ISSUE NUMBER
ORIGINAL ①



COVER KIT INCLUDES

ITEM	DESCRIPTION	MATERIAL	FINISH	QTY
①	TOP COVER	ZINC3	NICKEL PLATED	1
②	BOTTOM COVER	ZINC3	NICKEL PLATED	1
③	COVER SCREW M3	STEEL	ZINC PLATED	2
④	BLANKING PLATE	ZINC3	NICKEL PLATED	2
⑤	JACKSCREW 4-40	STEEL	ZINC PLATED	2
⑥	METAL CLAMP	STEEL	ZINC PLATED	2
⑦	CLAMP SCREW M2.6	STEEL	ZINC PLATED	4

THESE DRAWINGS AND SPECIFICATIONS ARE THE PROPERTY OF MH CONNECTORS AND SHALL NOT BE REPRODUCED, COPIED OR USED AS THE BASIS FOR THE MANUFACTURE OR SALE OF APPARATUS WITHOUT WRITTEN PERMISSION.

DRAWN
Pan
DATE
10-10-2025

APPROVED
Victor Lin
DATE
10-10-2025

SCALE
1:1
SHEET OF
1 OF 1
REV:
1.0

DRAWING No
MHTRI-Z-09-K



THIS SERIES FULLY CONFORMS TO THE EUROPEAN UNION DIRECTIVES 2015/863/EU AND 2011/65/EU FOR RoHS COMPLIANCY.



MH CONNECTORS,
DIVISION OF EDAC